

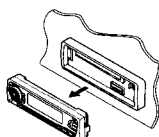
JVC

SERVICE MANUAL

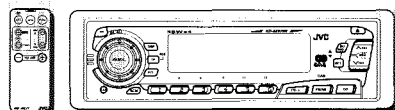
CD RECEIVER

KD-SX979R / KD-SX925R KD-SX924R / KD-SX909R

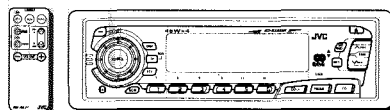
Area Suffix
E ---- Continental Europe



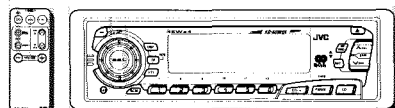
KD-SX979R



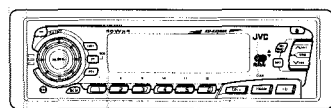
KD-SX925R



KD-SX924R



KD-SX909R




	Illumination color	Remote controller
KD-SX979R	COLOR	○
KD-SX925R	BLUE	○
KD-SX924R	RED	○
KD-SX909R	WHITE	×

Contents

Safety precaution	1-2	Maintenance of laser pickup	2-9
Preventing static electricity	1-3	Description of major ICs	2-10
Instructions	1-4~20	Block diagram	2-26
Disassembly method	2-1	Standard schematic diagrams	2-27
Adjustment method	2-6	Printed circuit boards	2-29~30
Flow of functional operation until TOC read	2-7	Parts list	3-1~16

Safety precaution

 **CAUTION** Burrs formed during molding may be left over on some parts of the chassis. Therefore, pay attention to such burrs in the case of performing repair of this system.

 **CAUTION** Please use enough caution not to see the beam directly or touch it in case of an adjustment or operation check.

Preventing static electricity

1. Grounding to prevent damage by static electricity

Electrostatic discharge (ESD), which occurs when static electricity stored in the body, fabric, etc. is discharged, can destroy the laser diode in the traverse unit (optical pickup). Take care to prevent this when performing repairs.

2. About the earth processing for the destruction prevention by static electricity

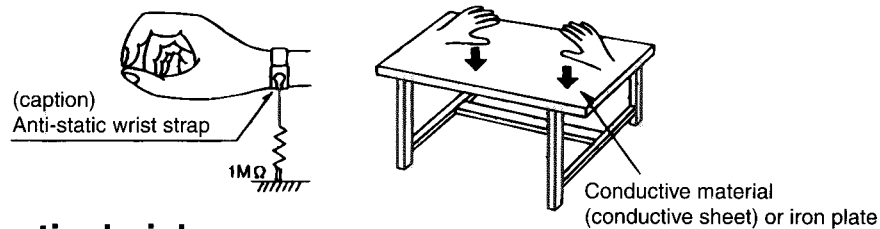
Static electricity in the work area can destroy the optical pickup (laser diode) in devices such as CD players. Be careful to use proper grounding in the area where repairs are being performed.

2-1 Ground the workbench

Ground the workbench by laying conductive material (such as a conductive sheet) or an iron plate over it before placing the traverse unit (optical pickup) on it.

2-2 Ground yourself

Use an anti-static wrist strap to release any static electricity built up in your body.



3. Handling the optical pickup

1. In order to maintain quality during transport and before installation, both sides of the laser diode on the replacement optical pickup are shorted. After replacement, return the shorted parts to their original condition. (Refer to the text.)

2. Do not use a tester to check the condition of the laser diode in the optical pickup. The tester's internal power source can easily destroy the laser diode.

4. Handling the traverse unit (optical pickup)

1. Do not subject the traverse unit (optical pickup) to strong shocks, as it is a sensitive, complex unit.

2. Cut off the shorted part of the flexible cable using nippers, etc. after replacing the optical pickup. For specific details, refer to the replacement procedure in the text. Remove the anti-static pin when replacing the traverse unit. Be careful not to take too long a time when attaching it to the connector.

3. Handle the flexible cable carefully as it may break when subjected to strong force.

4. It is not possible to adjust the semi-fixed resistor that adjusts the laser power. Do not turn it

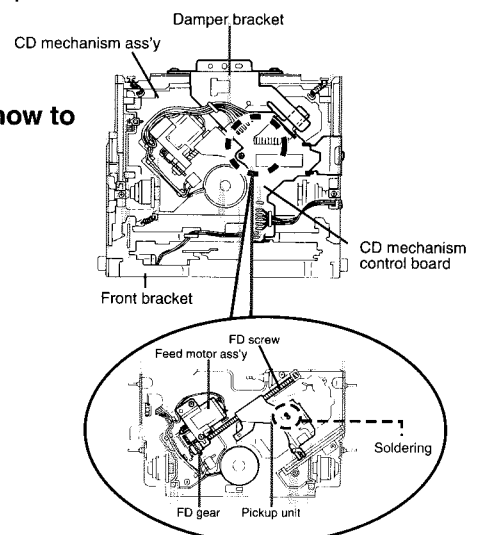
Attention when traverse unit is decomposed

***Please refer to "Disassembly method" in the text for pick-up and how to detach the substrate.**

1. Solder is put up before the card wire is removed from connector on the CD substrate as shown in Figure.

(When the wire is removed without putting up solder, the CD pick-up assembly might destroy.)

2. Please remove solder after connecting the card wire with when you install picking up in the substrate.

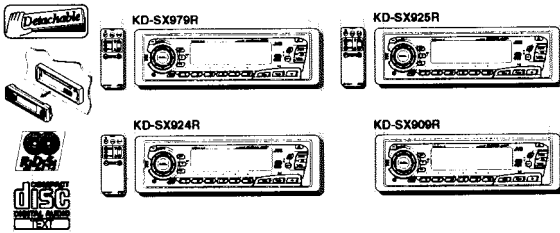


Instructions



CD RECEIVER
CD-RECEIVER
RECEPTEUR CD
CD-RECEIVER

KD-SX979R/KD-SX925R KD-SX924R/KD-SX909R



For installation and connections, refer to the separate manual.
Für den Einbau und die Anschlüsse siehe das eigenständige Handbuch.
Pour l'installation et les raccordements, se référer au manuel séparé.
Bijzonderheden over de installatie en aansluiting van het apparaat vindt u in de desbetreffende handleiding.

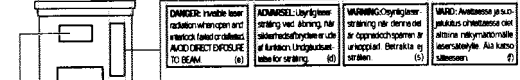
INSTRUCTIONS BEDIENUNGSANLEITUNG MANUEL D'INSTRUCTIONS GEBRUIKSAANWIJZING

FSUN3115-311
[E]

ENGLISH
DEUTSCH
FRANÇAIS
NEDERLANDS

Position And Reproduction Of Labels

Bottom panel of the main unit



Name/Rating plate



Caution:
This product contains a laser component of higher laser class than Class 1.

IMPORTANT FOR LASER PRODUCTS

Precautions:

1. CLASS 1 LASER PRODUCT
2. DANGER: Invisible laser radiation when open and interlock failed or defeated. Avoid direct exposure to beam.
3. CAUTION: Do not open the top cover. There are no user-serviceable parts inside. Leave all servicing to qualified service personnel.
4. CAUTION: This CD player uses invisible laser radiation and is equipped with safety switches to prevent radiation emission when unloading CDs. It is dangerous to defeat the safety switches.
5. CAUTION: Use of controls, adjustments or performance of procedures other than those specified herein may result in hazardous radiation exposure.

How to reset your unit

Press and hold both the SEL (Select) and \odot /I/ATT (Standby/On/ATT) buttons at the same time for several seconds. This will reset the built-in microcomputer.

Notes:

- Your preset adjustments — such as preset channels or sound adjustments — will also be erased.
- If a CD is in the unit, "PLEASE" and "EJECT" appear on the display alternately. In this case, press \blacktriangle to eject the CD. Pay attention not to drop the CD.
- When you reset the unit with no CD loaded...
After you open and close the control panel, nothing may be displayed although the unit is on. In this case, press \odot /I/ATT to return to the normal state.

\odot /I/ATT
(Standby/On/ATT)



Note:

For security reasons, a numbered ID card is provided with this unit, and the same ID number is imprinted on the unit's chassis. Keep the card in a safe place, as it will help the authorities to identify your unit if stolen.

BEFORE USE

- * For safety...
Do not raise the volume level too much, as this will block outside sounds, making driving dangerous.
Stop the car before performing any complicated operations.
- * Temperature inside the car...
If you have parked the car for a long time in hot or cold weather, wait until the temperature in the car becomes normal before operating the unit.

Thank you for purchasing a JVC product. Please read all instructions carefully before operation, to ensure your complete understanding and to obtain the best possible performance from the unit.

CONTENTS

How to reset your unit	2
BASIC OPERATIONS	5
RADIO BASIC OPERATIONS	6
Listening to the radio	6
Storing stations in memory	7
FM station automatic preset: SSM	7
Manual preset	8
Tuning into a preset station	9
RDS OPERATIONS	10
What you can do with RDS EON	10
Tracing the same programme automatically (Network-Tracking Reception)	10
Using Standby Reception	12
Selecting your favorite programme for PTY Standby Reception	13
Searching your favorite programme	13
Other convenient RDS functions and adjustments	16
Automatic selection of the station when using the number buttons	16
Changing the display mode while listening to an FM station	17
Setting the TA volume level	17
Automatic clock adjustment	17
CD OPERATIONS	18
Playing a CD	18
Locating a track or a particular portion on a CD	19
Selecting CD playback modes	20
Playing a CD Text	21
Prohibiting CD ejection	21
SOUND ADJUSTMENTS	22
Adjusting the sound	22
Using the Sound Control Memory	23
Selecting and storing the sound modes	23
Recalling the sound modes	24
Storing your own sound adjustments	25

ENGLISH
ENGLISH

OTHER MAIN FUNCTIONS

Setting the clock	26
Changing the general settings (PSM)	27
Basic Procedure	27
Cancelling Advanced SCM	29
Selecting the clock display	29
Selecting the level display	29
Selecting the dimmer mode (ONLY FOR KD-SX979R)	30
Controlling the volume automatically (Audio Cruise; ONLY FOR KD-SX979R)	30
Selecting the telephone muting	32
Turning on/off the key-touch tone (ONLY FOR KD-SX979R)	32
Selecting the scroll mode	33
Selecting the external component to use	33
Detaching the control panel	34

REMOTE OPERATIONS

Installing the battery	35
Using the remote controller	36

CD CHANGER OPERATIONS

Playing CDs	37
Selecting CD playback modes	39

EXTERNAL COMPONENT OPERATIONS

DAB TUNER OPERATIONS	41
Tuning into an ensemble and one of the services	41
Storing DAB services in memory	43
Tuning into a preset DAB service	45
What you can do more with DAB	46
Tracing the same program automatically (Alternative Reception)	46

MAINTENANCE

Handling CDs	47
--------------------	----

TROUBLESHOOTING

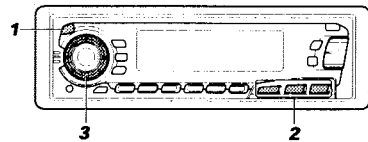
.....	48
-------	----

SPECIFICATIONS

.....	49
-------	----

To be continued on the next page

BASIC OPERATIONS



Note:
When you use this unit for the first time, set the built-in clock correctly, see page 26.

- 1** Turn on the power.



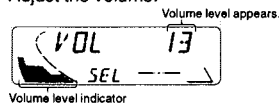
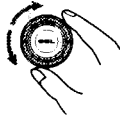
Note on One-Touch Operation:
When you select a source in step 2 below, the power automatically comes on. You do not have to press this button to turn on the power.

- 2** Select the source.



To operate the tuner, see pages 6 – 17.
To operate the CD player, see pages 18 – 21.
To operate the CD changer, see pages 37 – 39.
To operate the external component, see page 40.
To operate the DAB tuner, see pages 41 – 46.

- 3** Adjust the volume.



- 4** Adjust the sound as you want (see pages 22 – 25).

To drop the volume in a moment

Press **ON/ATT** briefly while listening to any source. "ATT" starts flashing on the display, and the volume level will drop in a moment.

To resume the previous volume level, press the button briefly again.

To turn off the power

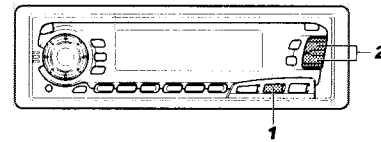
Press **ON/ATT** for more than 1 second.

CAUTION on Volume Setting

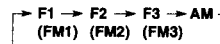
CDs produce very little noise compared with other sources. If the volume level is adjusted for the tuner, for example, the speakers may be damaged by the sudden increase in the output level. Therefore, lower the volume before playing a disc and adjust it as required during playback.

RADIO BASIC OPERATIONS

Listening to the radio

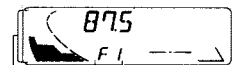


- 1** Select the band (FM1, FM2, FM3 or AM).
You can select any one of FM1, FM2, and FM3 to listen to an FM station.



Audio (see page 29) or volume level indicator

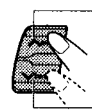
Selected band (or clock time: see page 29) appears.



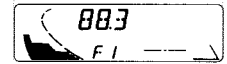
- 2** To search stations of higher frequencies

Start searching a station.

When a station is received, searching stops.



To search stations of lower frequencies



To stop searching before a station is received, press the same button you have pressed for searching.

To tune in a particular frequency without searching

1 Press **FM/AM** repeatedly to select the band (FM or AM).

2 Press and hold **▲▶▶** or **◀◀◀** until "MANU (Manual)" starts flashing on the display.

Now you can manually change the frequency while "MANU" is flashing.

3 Press **▲▶▶** or **◀◀◀** repeatedly until the frequency you want is reached.

• If you hold down the button, the frequency keeps changing (in 50 kHz intervals for FM and 9 kHz intervals for AM-MW/LW) until you release the button.

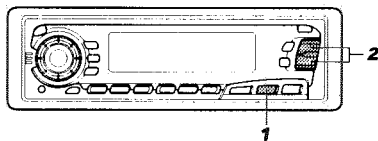
Storing stations in memory

You can use one of the following two methods to store broadcasting stations in memory.

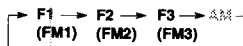
- Automatic preset of FM stations: SSM (Strong-station Sequential Memory)
- Manual preset of both FM and AM stations

FM station automatic preset: SSM

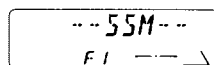
You can preset 6 local FM stations in each FM band (FM1, FM2 and FM3).



- 1** Select the FM band number (FM1, FM2 or FM3) you want to store FM stations into.



- 2** Press and hold both buttons for more than 2 seconds.



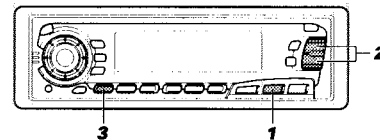
"SSM" appears, then disappears when automatic preset is over.

Local FM stations with the strongest signals are searched and stored automatically in the band number you have selected (FM1, FM2 or FM3). These stations are preset in the number buttons — No. 1 (lowest frequency) to No. 6 (highest frequency). When automatic preset is over, the station stored in number button 1 will be automatically tuned in.

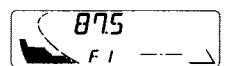
Manual preset

You can preset up to 6 stations in each band (FM1, FM2, FM3 and AM) manually.

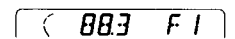
EXAMPLE: Storing an FM station of 88.3 MHz into the preset number 1 of the FM1 band



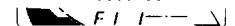
- 1** Select the FM1 band.



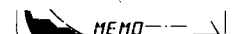
- 2** Tune into a station of 88.3 MHz.
See page 6 to tune into a station.



- 3** Press and hold the number button (in this example, 1) for more than 2 seconds.



Band/preset number and "MEMO" flash alternately for a while.



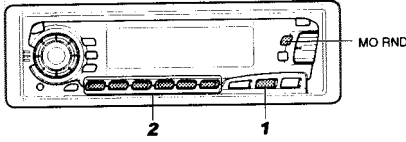
- 4** Repeat the above procedure to store other stations into other preset numbers.

Notes:

- A previously preset station is erased when a new station is stored in the same preset number.
- Preset stations are erased when the power supply to the memory circuit is interrupted (for example, during battery replacement). If this occurs, preset the stations again.

Tuning into a preset station

You can easily tune into a preset station. Remember that you must store stations first. If you have not stored them yet, see pages 7 and 8.

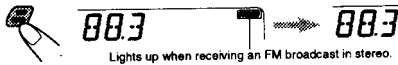


1 Select the band (FM1, FM2, FM3 or AM) you want.

F1 → F2 → F3 → AM
 (FM1) (FM2) (FM3)

2 Select the number (1 – 6) for the preset station you want.

When an FM stereo broadcast is hard to receive:
 Press MO RND (Monaural/Random) while listening to an FM stereo broadcast. The sound you hear becomes monaural but reception will be improved.



To restore the stereo effect, press the same button again.

RDS OPERATIONS

What you can do with RDS EON

RDS (Radio Data System) allows FM stations to send an additional signal along with their regular programme signals. For example, the stations send their station names, as well as information about what type of programme they broadcast, such as sports or music, etc. Another advantage of RDS function is called "EON (Enhanced Other Networks)." The EON indicator lights up while receiving an FM station with the EON data. By using the EON data sent from a station, you can tune into a different station of a different network broadcasting your favorite programme or traffic announcement while listening to another programme or to another source such as CD.

By receiving the RDS data, this unit can do the following:

- Tracing the same programme automatically (Network-Tracking Reception)
- Standby Reception of TA (Traffic Announcement) or your favorite programme
- PTY (Programme Type) search
- TP (Traffic Programme) search
- And some other functions

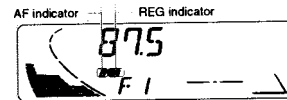
Tracing the same programme automatically (Network-Tracking Reception)

When driving in an area where FM reception is not good, the tuner built in this unit automatically tune in another RDS station, broadcasting the same programme with stronger signals. So, you can continue to listen to the same programme in its finest reception, no matter where you drive. (See the illustration on the next page.)

Two types of the RDS data are used to make Network-Tracking Reception work correctly — PI (Programme Identification) and AF (Alternative Frequency). Without receiving these data correctly from the RDS station you are listening to, Network-Tracking Reception will not operate.

To use Network-Tracking Reception, press and hold TP RDS (Traffic Programme/Radio Data System) for more than 1 second. Each time you press and hold the button, Network-Tracking Reception modes change as follows:

Mode 1 → Mode 2 → Mode 3



Mode 1

The AF indicator lights up but the REG indicator does not. Network-Tracking is activated with Regionalization set to "off." Switches to another station within the same network when the receiving signals from the current station become weak.

Note:
 In this mode, the programme may differ from the one currently received.

Mode 2

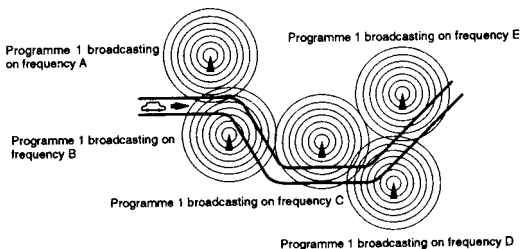
Both the AF indicator and the REG indicator light up. Network-Tracking is activated with Regionalization set to "on." Switches to another station, within the same network, broadcasting the same programme when the receiving signals from the current station become weak.

Mode 3

Neither the AF indicator nor the REG indicator lights up. Network-Tracking is deactivated.

Note:
 If a DAB tuner is connected and Alternative Reception (for DAB services) is activated, Network-Tracking Reception is also activated automatically. On the other hand, Network-Tracking Reception cannot be deactivated without deactivating Alternative Reception. (See page 46.)

The same programme can be received on different frequencies.



Using Standby Reception

Standby Reception allows the unit to switch temporarily to your favorite programme (PTY: Programme Type) and Traffic Announcement (TA) from the current source (another FM station, CD and other connected components).

Note:
 Standby Reception will not work if you are listening to an AM station.

TA Standby Reception



- When you press TP RDS while listening to an FM station, the TP indicator is lit during reception of a TP (Traffic Programme) station and the TA standby mode is engaged.

Note:
 When the station being received is not a TP station, the TP indicator flashes. Press or to engage the TA standby mode. "SEARCH" appears on the display, and TP station search starts. When a TP station is tuned in, the TP indicator is lit.

- If you are listening to a CD and wish to listen to a TP station, press TP RDS to enter the TA standby mode. (The TP indicator lights up.)

If a traffic programme starts broadcasting while the TA standby mode is active, "TRAFFIC" appears and the playback source changes to the FM band. The volume increases to the preset TA volume level and the traffic programme can be heard (see page 17).

To deactivate the TA standby mode, press TP RDS again.

PTY Standby Reception



- When you press PTY while listening to an FM station, the PTY indicator is lit during reception of a PTY station and the PTY standby mode is engaged. The selected PTY name stored on page 14 flashes for 5 seconds.

Note:
 When the station being received is not a PTY station, the PTY indicator flashes. Press or to engage the PTY standby mode. "SEARCH" appears on the display, and PTY station search starts. When a PTY station is tuned in, the PTY indicator is lit.

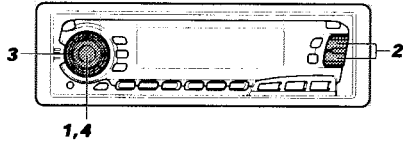
- If you are listening to a CD and wish to listen to a selected PTY broadcast, press PTY to enter the PTY standby mode. (The PTY indicator lights up.)

If the selected PTY programme starts broadcasting while the PTY standby mode is active, the selected PTY name appears and the playback source changes to the FM band. The selected PTY programme can then be heard.

To deactivate the PTY standby mode, press PTY again.

Selecting Your Favorite Programme for PTY Standby Reception

You can select your favorite programme for PTY Standby Reception to store in memory. When shipped from the factory, "NEWS" is stored as the programme type for PTY Standby Reception.



- 1 Press and hold SEL (select) for more than 2 seconds to call up the Preferred Setting Mode (PSM: see page 27).
- 2 Select "PTY STBY (standby)" if not shown on the display.
- 3 Select one of twenty-nine PTY codes. (See page 16.)
Selected code name appears on the display and is stored into memory.
- 4 Finish the setting.

Searching Your Favorite Programme

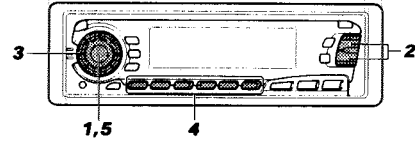
You can search one of your 6 favorite programme types stored in memory. When shipped from the factory, the following 6 programme types have been stored in the number buttons (1 to 6).

To change the factory preset settings, see page 14.
To search your favorite programme, see page 15.

1	2	3	4	5	6
POP M	ROCK M	EASY M	CLASSICS	AFFAIRS	VARIED

13

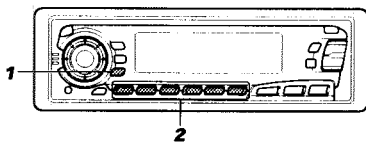
To store your favorite programme types



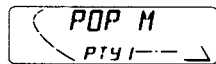
- 1 Press and hold SEL (select) for more than 2 seconds to call up the Preferred Setting Mode (PSM: see page 27).
- 2 Select "PTY SRCH (search)" if not shown on the display.
- 3 Select one of twenty-nine PTY codes. (See page 16.)
Selected code name appears on the display.
• If the code already stored in memory is selected, it will flash on the display.
- 4 Press and hold the number button for more than 2 seconds to store the PTY code selected into the preset number you want. PTY preset number appears, and selected code name and "MEMORY" alternates on the display.
- 5 Finish the setting.

14

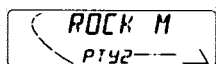
To search your favorite programme type



- 1 Press and hold PTY (programme type) for more than 1 second while listening to an FM station.
The last selected PTY code and preset number appear.



- 2 Select one of PTY codes stored in preset number buttons (1 to 6).



Ex. When "ROCK M" is stored in preset number button 2.

PTY search for your favorite programme starts after 5 seconds.

- If there is a station broadcasting a programme of the same PTY code you selected, that station is tuned in.
- If there is no station broadcasting a programme of the same PTY code you selected, the station will not change.

Note:
In some areas, the PTY search will not work correctly.

15

Other convenient RDS functions and adjustments

Automatic selection of the station when using the number buttons

Usually when you press the number button, the preset station is tuned in. However, when the preset station is an RDS station, something different will happen. If the signals from that preset station are not sufficient for good reception, this unit, using the AF data, tunes in another frequency broadcasting the same programme as the original preset station is broadcasting. In case no other station is tuned in, you can also search all receivable frequencies for the same programme. (Programme search) To activate programme search, follow the procedure below.

- Programme search takes a while.
- See also "Changing the general settings (PSM)" on page 27.

1. Press and hold SEL (select) for more than 2 seconds so that one of the PSM items appears on the display.
2. Press or to select "P(programme)-SEARCH".
3. Select "ON" by turning the control dial clockwise.
Now programme search is activated.

To cancel programme search, repeat the same procedure and select "OFF" in step 3 by turning the control dial counterclockwise.

PTY codes

NEWS:	News	SOCIAL:	Programmes on social activities
AFFAIRS:	Topical programmes expanding on current news or affairs	RELIGION:	Programmes dealing with any aspect of belief or faith, or the nature of existence or ethics
INFO:	Programmes which impart advice on a wide variety of topics	PHONE IN:	Programmes where people can express their views either by phone or in a public forum
SPORT:	Sport events	TRAVEL:	Programmes about travel destinations, package tours, and travel ideas and opportunities
EDUCATE:	Educational programmes	LEISURE:	Programmes concerned with recreational activities such as gardening, cooking, fishing, etc.
DRAMA:	Radio plays	JAZZ:	Jazz music
CULTURE:	Programmes on national or regional culture	COUNTRY:	Country music
SCIENCE:	Programmes on natural science and technology	NATION M:	Current popular music from another nation or region, in that country's language
VARIED:	Other programmes like comedies or ceremonies	OLDIES:	Classic pop music
POP M:	Pop music	FOLK M:	Folk music
ROCK M:	Rock music	DOCUMENT:	Programmes dealing with factual matters, presented in an investigative style
EASY M:	Easy-listening music		
LIGHT M:	Light music		
CLASSICS:	Classical music		
OTHER M:	Other music		
WEATHER:	Weather information		
FINANCE:	Reports on commerce, trading, the Stock Market, etc.		
CHILDREN:	Entertainment programmes for children		

16



Changing the display mode while listening to an FM station

You can change the initial indication on the display to either station name (PS NAME) or to station frequency (FREQ), while listening to an FM RDS station.

• See also "Changing the general settings (PSM)" on page 27.

1. Press and hold SEL (select) for more than 2 seconds so that one of the PSM items appears on the display.
2. Select "TU DISP (tuner display)" with $\blacktriangle\blacktriangleright$ or $\blacktriangleleft\blacktriangleleft$.
3. Set to the desired indication ("PS NAME" or "FREQ") with the control dial.

Note:

By pressing DISP, you can also change the display while listening to an FM RDS station. Each time you press the button, the following information appears on the upper part of the display:

PS (Station name) → Station Frequency → PTY (Programme type)

* Then, the display goes back to the original indication in several seconds.

Setting the TA volume level

You can preset the volume level for TA Standby Reception. When a traffic programme is received, the volume level automatically changes to the preset level.

• See also "Changing the general settings (PSM)" on page 27.

1. Press and hold SEL (select) for more than 2 seconds so that one of the PSM items appears on the display.
2. Select "TA VOL (volume)" with $\blacktriangle\blacktriangleright$ or $\blacktriangleleft\blacktriangleleft$.
3. Set to the desired volume with the control dial.

Automatic clock adjustment

When shipped from the factory, the clock built in this unit is set to be readjusted automatically using the CT (Clock Time) data in the RDS signal.

If you do not want to use automatic clock adjustment, follow the procedure below.

• See also "Changing the general settings (PSM)" on page 27.

1. Press and hold SEL (select) for more than 2 seconds so that one of the PSM items appears on the display.
2. Select "AUTO ADJ (adjust)" with $\blacktriangle\blacktriangleright$ or $\blacktriangleleft\blacktriangleleft$.
3. Select "OFF" by turning the control dial counterclockwise.
Now automatic clock adjustment is canceled.

To reactivate clock adjustment, repeat the same procedure and select "ON" in step 3 by turning the control dial clockwise.

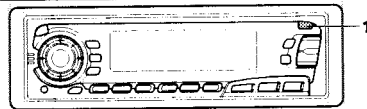
Note:

It takes about 2 minutes to adjust the time using the CT data. So, you must tune to the station for more than 2 minutes continuously; otherwise, the clock time will not be adjusted.

ENGLISH
ENGLISH

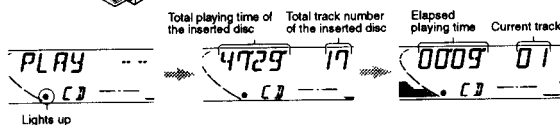
CD OPERATIONS

Playing a CD



1. Open the control panel.

2. Insert a disc into the loading slot.
The unit turns on, draws a CD and starts playback automatically.
2. Close the control panel by hand.



Notes:

- When a CD is inserted upside down, "PLEASE" and "EJECT" appear on the display alternately.
- When you open the control panel by pressing \blacktriangle , the CD automatically ejects.
- When you play a CD Text, the disc title and performer appear on the display. Then the current track and elapsed playing time appears on the display. See also "Playing a CD Text" (page 21) and "Selecting the scroll mode" (page 33).
- If a CD Text includes much text information, some may not appear on the display.

Note on One-Touch Operation:

When a CD is already in the loading slot, pressing CD turns on the unit and starts playback automatically.

To stop play and eject the CD

Press \blacktriangle . CD play stops, the control panel opens, then the CD automatically ejects from the loading slot. If you change the source to FM, AM, CD changer or external component, the CD play also stops (without ejecting the CD this time).

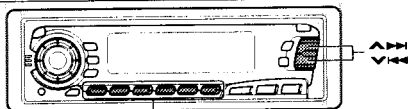
Notes:

- If the ejected disc is not removed for about 15 seconds, the disc is automatically inserted again into the loading slot to protect it from dust. (CD play will not start this time.)
- You can eject the CD even when the unit is turned off.

17

18

Locating a track or a particular portion on a CD



Number buttons

To fast-forward or reverse the track

Press and hold $\blacktriangle\blacktriangleright$, while playing a CD, to fast-forward the track.



Press and hold $\blacktriangleleft\blacktriangleleft$, while playing a CD, to reverse the track.

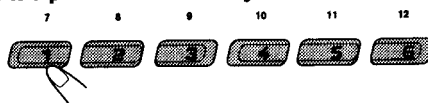
To go to the next tracks or the previous tracks

Press $\blacktriangle\blacktriangleright$ briefly, while playing a CD, to go ahead to the beginning of the next track. Each time you press the button consecutively, the beginning of the next tracks is located and played back.



Press $\blacktriangleleft\blacktriangleleft$ briefly, while playing a CD, to go back to the beginning of the current track. Each time you press the button consecutively, the beginning of the previous tracks is located and played back.

To go to a particular track directly

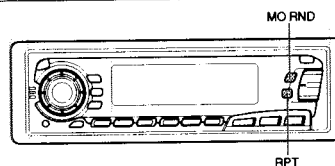


Press the number button corresponding to the track number to start its playback.

- To select a track number from 1 - 6:
Press 1 (7) - 6 (12) briefly.
- To select a track number from 7 - 12:
Press and hold 1 (7) - 6 (12) for more than 1 second.

ENGLISH
ENGLISH

Selecting CD playback modes

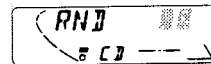


To play back tracks at random (Random Play)

You can play back all tracks on the CD at random.



Each time you press MO RND (Monaural/Random) while playing a CD, CD random play mode turns on and off alternately. When the random mode is turned on, the RND indicator lights up on the display and a track randomly selected starts playing.

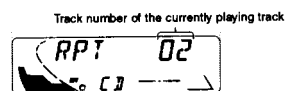


To play back tracks repeatedly (Repeat Play)

You can play back the current track repeatedly.



Each time you press RPT (Repeat) while playing a CD, CD repeat play mode turns on and off alternately. When the repeat mode is turned on, the RPT indicator lights up on the display.

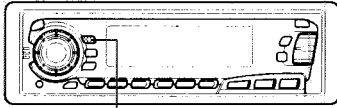


19

20

Playing a CD Text

In a CD Text, some information about the disc (its disc title, performer and track title) is recorded. You can show these disc information on the display.



DISP



Select text display mode while playing a CD Text.

Each time you press the button, the display changes as follows:



Notes:

- The display shows up to 8 characters at one time and scrolls if there are more than 8 characters. See also "Selecting the scroll mode" on page 33. Some characters or symbols will not be shown (and be blanked) on the display. (Ex. "ABC&123" ⇒ "ABCA D ")
- When you press DISP while playing a conventional CD, "NO NAME" appears for the disc title/performer and the track title.

Prohibiting CD ejection

You can prohibit CD ejection and can lock a CD in the loading slot. While pressing CD, press and hold \odot /ATT for more than 2 seconds. "NO EJECT" flashes on the display for about 5 seconds, and the CD is locked and cannot be ejected.

To cancel the prohibition and unlock the CD, press \odot /ATT again for more than 2 seconds, while pressing CD. "EJECT OK" flashes on the display for about 5 seconds, and the CD is unlocked.

21

22

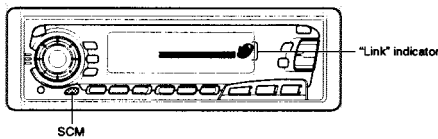
Using the Sound Control Memory

You can select and store a preset sound adjustment suitable to each playback source. (Advanced SCM)

Selecting and storing the sound modes

Once you select a sound mode, it is stored in memory, and will be recalled every time you select the same source. A sound mode can be stored for each of the following sources — FM1, FM2, FM3, AM, CD and external components.

- If you do not want to store the sound mode separately for each playback source, but want to use the same sound mode for all the sources, see "Canceling Advanced SCM" on page 29.



Select the sound mode you want.

Each time you press the button, the sound mode changes as follows:



- If the "Link" indicator is lit on the display (with "SCM LINK" set to "LINK ON"—see page 29), the selected sound mode can be stored in memory for the current source, and the effect applies to the current source.
- If the "Link" indicator is NOT lit on the display (with "SCM LINK" set to "LINK OFF"), the selected sound mode effect applies to any source.

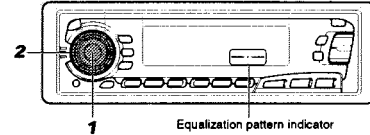
Indication	For:	Preset values		
		Bass	Treble	Loudness
SCM OFF	(Flat sound)	00	00	On
BEAT	Rock or disco music	+02	00	On
SOFT	Quiet background music	+01	-03	Off
POP	Light music	+04	+01	Off

23

SOUND ADJUSTMENTS

Adjusting the sound

You can adjust the sound characteristics to your preference.



1



Select the item you want to adjust.



Indication	To do:	Range
BAS (Bass)	Adjust the bass	-06 (min.) — +06 (max.)
TRE (Treble)	Adjust the treble	-06 (min.) — +06 (max.)
FAD (Fader)*	Adjust the front and rear speaker balance	R06 (rear only) — F06 (front only)
BAL (Balance)	Adjust the left and right speaker balance	L06 (left only) — R06 (right only)
LOUD (Loudness)	Boost low and high frequencies to produce a well-balanced sound at low volume level.	LOUD ON — LOUD OFF
VOL (Volume)	Adjust the volume	00 (min.) — 50 (max.)

Note:

* If you are using a two-speaker system, set the fader level to "00."

2



Adjust the level.



Equalization pattern changes as you adjust the bass or treble.

Note:

Normally the control dial works for volume adjustment. So you do not have to select "VOL" to adjust the volume level.

Recalling the sound modes

Recalling the sound modes



Source buttons



Select the source while the "Link" indicator is lit on the display.

The "Link" indicator starts flashing, and the sound mode stored in memory for the selected source is recalled.



Equalization pattern of the selected sound mode appears.

Notes:

- You can adjust each sound mode to your preference, and store it in memory. If you want to adjust and store your original sound mode, see "Storing your own sound adjustments" on page 25.
- To adjust the bass and treble reinforcement levels or to turn on/off the loudness function temporarily, see page 22. (Your adjustments will be canceled if another source is selected.)

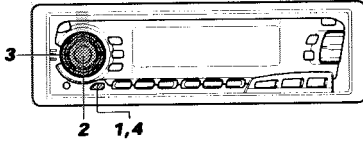
23

24



Storing your own sound adjustments

You can adjust the sound modes (BEAT, SOFT, POP: see page 23) to your preference and store your own adjustments in memory.



- 1 Call up the sound mode you want to adjust. See page 23 for details.
- 2 Select "BAS (Bass)," "TRE (Treble)" or "LOUD (Loudness)."
- 3 *Within 5 seconds* Adjust the bass or treble level or turn the loudness function ON/OFF. See page 22 for details.
- 4 Press and hold SCM (Sound Control Memory) until the sound mode you have selected in step 1 flashes on the display. Your setting is stored in memory.
- 5 Repeat the same procedure to store other settings.

To reset to the factory settings

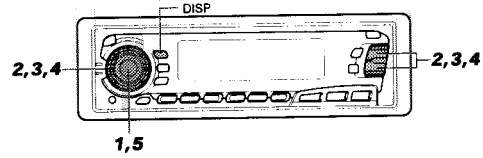
Repeat the same procedure and reassign the preset values listed in the table on page 23.

ENGLISH
ENGLISH

OTHER MAIN FUNCTIONS

Setting the clock

You can also set the clock system either to 24 hours or 12 hours.



- 1 Press and hold SEL (Select) for more than 2 seconds so that one of the PSM items appears on the display.
- 2 Set the hour.
 - 1 Select "CLOCK H (Hour)" if not shown on the display.
 - 2 Adjust the hour.
- 3 Set the minute.
 - 1 Select "CLOCK M (Minute)."
 - 2 Adjust the minute.
- 4 Set the clock system.
 - 1 Select "24H/12H."
 - 2 Select "24H" or "12H."
- 5 Finish the setting.

To check the current clock time while the unit is turned off, press DISP. The power turns on, the clock time is shown for 5 seconds, then the power turns off.

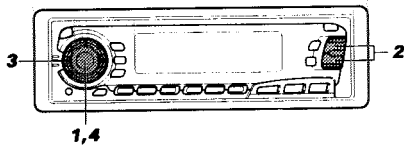
25 26



Changing the general settings (PSM)

You can change the items listed on the next page by using the PSM (Preferred Setting Mode) control.

Basic Procedure



- 1 Press and hold SEL (Select) for more than 2 seconds so that one of the PSM items appears on the display.
- 2 Select the PSM item you want to adjust. (See page 28.)
- 3 Select or adjust the PSM item selected above.
- 4 Finish the setting.

ENGLISH
ENGLISH

1	2	3	Factory-preset settings	See page
Select	Set			
CLOCK H	Hour adjustment	Back Advance	0:00	26
CLOCK M	Minute adjustment	Back Advance		
SCM LINK	Sound control memory linkage	LINK OFF LINK ON	LINK ON	29
24H/12H	24/12-hour time display	12H 24H	24H	26
AUTO ADJ	Automatic setting of the clock	OFF ON	ON	17
CLOCK	Clock display	OFF ON	ON	29
TU DISP	Display mode	FREQ PS NAME	PS NAME	17
PTY STBY	PTY standby	29 programme types (See page 16.)	NEWS	13
PTY SRCH	PTY search		(See page 13.)	13
TA VOL	Traffic announcement volume	VOL (00-50)	VOL 20	17
P-SEARCH	Programme search	OFF ON	OFF	16
DAB AF*	Alternative Reception	AF OFF AF ON	AF ON	48
LEVEL	Level display	AUDIO 1 ↔ AUDIO 2 ↕ OFF ↕	AUDIO 2	29
DIMMER	Dimmer (ONLY FOR KD-SX979R)	AUTO ↔ OFF ↕ ON ↕	AUTO	30
CRUISE	Audio cruise (ONLY FOR KD-SX979R)	CRUISE 1 ↔ CRUISE 2 ↕ OFF ↕	OFF	30
RPM SET**	Idling speed	—	800 rpm	31
BOOST**	Boost	01-15	05	31
TEL	Audio muting for cellular phone system	OFF ↔ MUTING 1 ↕ MUTING 2 ↕	OFF	32
BEEP	Key-touch tone (ONLY FOR KD-SX979R)	OFF ON	ON	32
SCROLL	Name display	ONCE ↔ AUTO ↕ OFF ↕	ONCE	33
LINE IN***	External component	CHANGER LINE IN	CHANGER	33

* Displayed only when the DAB tuner is connected.
** When you select "CRUISE 1" or "CRUISE 2" for Audio Cruise Mode, you can adjust these items.
*** Displayed only when one of the following sources is selected — FM, AM and CD.
• Press SEL (select) when the setting is complete.

27 28



Canceling Advanced SCM

You can cancel the Advanced SCM (Sound Control Memory), and unlink the sound modes and the playback sources.

When shipped from the factory, a different sound mode can be stored in memory for each source so that you can change the sound modes simply by changing the sources.

- LINK ON: Advanced SCM (different sound modes for different sources)
- LINK OFF: Conventional SCM (one sound mode for all sources)

- 1 Press and hold SEL (select) for more than 2 seconds so that one of the PSM items appears on the display.
- 2 Select "SCM LINK" with $\blacktriangle\blacktriangleright$ or $\blacktriangleleft\blacktriangleright$.
- 3 Select the desired mode with the control dial.

The SCM LINK mode changes as follows:

LINK ON \leftrightarrow LINK OFF

Selecting the clock display

You can select either the clock or the source name to be shown on the lower part of the display. When shipped from the factory, the clock is selected.

- ON: Clock
- OFF: Source name (or station band)

- 1 Press and hold SEL (select) for more than 2 seconds so that one of the PSM items appears on the display.
 - 2 Select "CLOCK" with $\blacktriangle\blacktriangleright$ or $\blacktriangleleft\blacktriangleright$.
 - 3 Select the desired mode with the control dial.
- The clock display mode alternates between on and off.

ON \leftrightarrow OFF

To check the other information during play

Press DISP (Display). Each time you press the button, the other information (either the clock or the source name) will be shown on the lower part of the display for a while.

Selecting the level display

You can select the level display according to your preference.

When shipped from the factory, "AUDIO 2" is selected.

- AUDIO 1: Shows the audio level indicator and the equalization pattern indicator.
- AUDIO 2: Alternates "AUDIO 1" setting and illumination display.
- OFF: Erases the audio level indicator and the equalization pattern indicator.

- 1 Press and hold SEL (select) for more than 2 seconds so that one of the PSM items appears on the display.
 - 2 Select "LEVEL" with $\blacktriangle\blacktriangleright$ or $\blacktriangleleft\blacktriangleright$.
 - 3 Select the desired mode with the control dial.
- The level display setting changes as follows:

AUDIO 1 \leftrightarrow AUDIO 2 \leftrightarrow OFF \leftrightarrow

ENGLISH
ENGLISH

Selecting the dimmer mode (ONLY FOR KD-SX979R)

When you turn on the car head lights, the display automatically dims (Auto Dimmer).

When shipped from the factory, Auto Dimmer mode is activated.

- AUTO: Activates Auto Dimmer.
- OFF: Cancels Auto Dimmer.
- ON: Always dims the display.

- 1 Press and hold SEL (select) for more than 2 seconds so that one of the PSM items appears on the display.
 - 2 Select "DIMMER" with $\blacktriangle\blacktriangleright$ or $\blacktriangleleft\blacktriangleright$.
 - 3 Select the desired mode with the control dial.
- The dimmer mode changes as follows:

AUTO \leftrightarrow OFF \leftrightarrow ON \leftrightarrow

Note on Auto Dimmer:

Auto Dimmer equipped with this unit may not work correctly on some vehicles, particularly on those having a control dial for dimming.

In this case, set the dimmer mode to "ON" or "OFF".

Controlling the volume automatically (Audio Cruise: ONLY FOR KD-SX979R)

You can select the proper cruise mode for your car.

This unit change the volume level automatically (at 3 possible levels) based on the driving speed of your car by detecting the alternator's generating frequency (Audio Cruise).

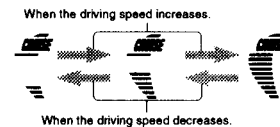
If you want to use this mode, follow the procedures below. When shipped from the factory, this mode is set to "OFF".

- CRUISE 1: Select this if your car is relatively quiet.
- CRUISE 2: Select this if your car is relatively loud.
- OFF: The volume increase rate is twice as much as that of the CRUISE 1 setting. Cancels Audio Cruise.

- 1 Press and hold SEL (select) for more than 2 seconds so that one of the PSM items appears on the display.
 - 2 Select "CRUISE" with $\blacktriangle\blacktriangleright$ or $\blacktriangleleft\blacktriangleright$.
 - 3 Select the desired mode with the control dial.
- The cruise mode changes as follows:

CRUISE 1 \leftrightarrow CRUISE 2 \leftrightarrow OFF \leftrightarrow

When this function is turned on (the CRUISE indicator lights up on the display), the proper volume level is automatically selected among the 3 possible levels according to the driving speed, and the selected level is shown on the display.



29

30



To adjust the volume increase rate

If you find Audio Cruise increases (or decreases) the volume either too much or too little as the driving speed changes. You can adjust the increase rate by changing the boost level. To change it, follow the procedure below.

- 1 Press and hold SEL (select) for more than 2 seconds so that one of the PSM items appears on the display.
 - 2 Select "CRUISE" with $\blacktriangle\blacktriangleright$ or $\blacktriangleleft\blacktriangleright$.
 - 3 Select either "CRUISE 1" or "CRUISE 2" with the control dial.
 - 4 Select "BOOST" with $\blacktriangle\blacktriangleright$ or $\blacktriangleleft\blacktriangleright$.
- The current boost level appears on the display.
- 5 Select the desired boost level (among 01 to 15) as you want while the current boost level is shown on the display with the control dial.
 - To increase the volume increase rate, rotate it clockwise.
 - To decrease the volume increase rate, rotate it counterclockwise.

If Audio Cruise does not function correctly

You may need to store the idling speed into memory to make Audio Cruise function correctly.

NOTICE that a number of factors, such as electric power steering, wipers, power windows, air conditioner, etc. do generate noises and, as a result, may cause Audio Cruise not to function correctly. If this is the main cause of malfunction, connect the memory backup lead (yellow lead) directly to the car battery to prevent these noises from affecting Audio Cruise.

- 1 Start the engine and let it warm up.
- 2 Press and hold SEL (select) for more than 2 seconds so that one of the PSM items appears on the display.
- 3 Select "CRUISE" with $\blacktriangle\blacktriangleright$ or $\blacktriangleleft\blacktriangleright$.
- 4 Select either "CRUISE 1" or "CRUISE 2" with the control dial.
- 5 Select "RPM SET" with $\blacktriangle\blacktriangleright$ or $\blacktriangleleft\blacktriangleright$.
- 6 Select the desired idling speed as you want with the control dial.

When the setting is complete, the unit automatically checks to see if Audio Cruise functions correctly with this new idling setting. If it does not function correctly, Audio Cruise is canceled automatically and the idling setting becomes invalid.

- If this happens, see the NOTICE above.

ENGLISH
ENGLISH

Selecting the telephone muting

This mode is used when a cellular phone system is connected. Depending on the phone system used, select either "MUTING 1" or "MUTING 2," whichever mutes the sounds from this unit. When shipped from the factory, this mode is deactivated.

- MUTING 1: Select this if this setting can mute the sounds.
- MUTING 2: Select this if this setting can mute the sounds.
- OFF: Cancels the telephone muting.

- 1 Press and hold SEL (select) for more than 2 seconds so that one of the PSM items appears on the display.
 - 2 Select "TEL (Telephone)" with $\blacktriangle\blacktriangleright$ or $\blacktriangleleft\blacktriangleright$.
 - 3 Select the desired mode with the control dial.
- The telephone muting mode changes as follows:

MUTING 1 \leftrightarrow MUTING 2 \leftrightarrow OFF \leftrightarrow

Turning on/off the key-touch tone (ONLY FOR KD-SX979R)

You can deactivate the key-touch tone if you do not want to make it beep when you press a button. When shipped from the factory, the key-touch tone is activated.

- ON: Activates the key-touch tone.
- OFF: Deactivates the key-touch tone.

- 1 Press and hold SEL (select) for more than 2 seconds so that one of the PSM items appears on the display.
 - 2 Select "BEEP" with $\blacktriangle\blacktriangleright$ or $\blacktriangleleft\blacktriangleright$.
 - 3 Select the desired mode with the control dial.
- The key-touch tone alternates between on and off.

ON \leftrightarrow OFF

31

32

Selecting the scroll mode

You can select the scroll mode for the name display and disc information if it consists of more than 8 characters. When shipped from the factory, Auto Scroll mode is set to "ONCE."

- ONCE: Scrolls only once.
- AUTO: Repeats the scroll (5-second intervals in between).
- OFF: Cancels Auto Scroll.

- 1 Press and hold SEL (select) for more than 2 seconds so that one of the PSM items appears on the display.
 - 2 Select "SCROLL" with \blacktriangle or \blacktriangleright or \blacktriangleleft or \blacktriangleleft .
 - 3 Select the desired mode with the control dial.
- The scroll mode changes as follows:



Note:

Even if the scroll mode is set to "OFF," you can scroll the display by pressing DISP for more than 1 second.

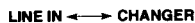
Selecting the external component to use

You can connect the external component to the CD changer jack on the rear using the Line Input Adaptor KS-U57 (not supplied).

To use the external component as the playback source through this unit, you need to select which component — CD changer or external component — to use. When shipped from the factory, CD changer is selected as the external component.

- LINE IN: To use the external component other than CD changer
- CHANGER: To use the CD changer

- 1 To change the source to FM, AM or CD, press FM/AM or CD.
 - 2 Press and hold SEL (select) for more than 2 seconds so that one of the PSM items appears on the display.
 - 3 Select "LINE IN" with \blacktriangle or \blacktriangleright or \blacktriangleleft or \blacktriangleleft .
 - 4 Select the desired mode with the control dial.
- The external component selecting mode changes as follows:



Note:

For connecting the Line Input Adaptor KS-U57 and the external component, refer to the Installation/Connection Manual (separate volume).

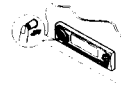
Detaching the control panel

You can detach the control panel when leaving the car. When detaching or attaching the control panel, be careful not to damage the connectors on the back of the control panel and on the panel holder.

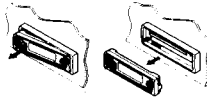
How to detach the control panel

Before detaching the control panel, be sure to turn off the power.

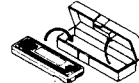
- 1 Unlock the control panel.



- 2 Pull the control panel out of the unit.

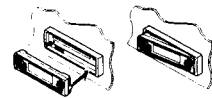


- 3 Put the detached control panel into the provided case.



How to attach the control panel

- 1 Insert the right side of the control panel into the groove on the panel holder.

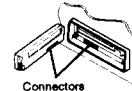


- 2 Press the left side of the control panel to fix it to the panel holder.



Note on cleaning the connectors:

If you frequently detach the control panel, the connectors will deteriorate. To minimize this possibility, periodically wipe the connectors with a cotton swab or cloth moistened with alcohol, being careful not to damage the connectors.



33

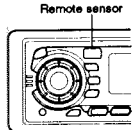
34

REMOTE OPERATIONS

This section is ONLY FOR KD-SX979R, KD-SX925R and KD-SX924R. KD-SX909R can also be remotely controlled as instructed here (with an optionally purchased remote controller). We recommend that you use remote controller RM-RK31 with your unit. The followings are the instructions for using RM-RK31.

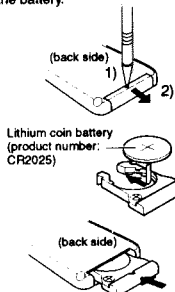
Before using the remote controller:

- Aim the remote controller directly at the remote sensor on the main unit. Make sure there is no obstacle in between.
- Do not expose the remote sensor to strong light (direct sunlight or artificial lighting).



Installing the battery

When the controllable range or effectiveness of the remote controller decreases, replace the battery.

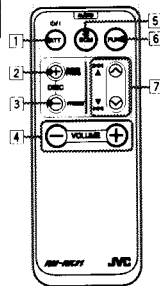


1. Remove the battery holder.
 - 1) Push out in the direction indicated by the arrow using a ball point pen or a similar tool.
 - 2) Remove the battery holder.
2. Place the battery.
 - Slide the battery into the holder with the + side facing upwards so that the battery is fixed in the holder.
3. Return the battery holder.
 - Insert again the battery holder pushing it until you hear a clicking sound.

WARNING:

- Store the batteries in a place which children cannot reach.
- If a child accidentally swallows the battery, immediately consult a doctor.
- Do not recharge, short, disassemble or heat the batteries or dispose of in a fire.
- Doing any of these things may cause the batteries to give off heat, crack or start a fire.
- Do not leave the batteries with other metallic materials.
- Doing this may cause the batteries to give off heat, crack or start a fire.
- When throwing away or saving the batteries, wrap in tape and insulate; otherwise, it may cause the batteries to give off heat, crack or start a fire.
- Do not poke the batteries with tweezers or similar tools.
- Doing this may cause the batteries to give off heat, crack or start a fire.

Using the remote controller



- 1 Functions the same as the O/I/ATT button on the main unit.
- 2 Functions as the BAND button while listening to the radio (or the DAB tuner). Each time you press the button, the band changes.
- 3 Functions as the DISC + button while listening to the CD changer. Each time you press the button, the disc number increases, and the selected disc starts playing.
- 4 Functions as the DISC - button while listening to the CD changer. Each time you press the button, the disc number decreases, and the selected disc starts playing.
- 5 Functions as the PRESET button while listening to the radio (or the DAB tuner). Each time you press the button, the preset station number increases, and the selected station is tuned in.
- 6 Functions as the DISC - button while listening to the CD changer. Each time you press the button, the disc number decreases, and the selected disc starts playing.
- 7 Functions the same as the control dial on the main unit.
 - **Note:** This button does not function for the preferred setting mode adjustment.
 - 5 Selects the sound mode. Each time you press SCM (Sound Control Memory), the mode changes.
 - 6 Selects the source. Each time you press FUNC (function), the source changes.
 - 7 Searches stations while listening to the radio.
 - Selects services while listening to the DAB tuner if pressed briefly.
 - Searches ensembles while listening to the DAB tuner if pressed for more than 1 second.
 - Fast-forwards or reverses the track if pressed and held while listening to a CD.
 - Skips to the beginning of the next tracks or goes back to the beginning of the current (or previous tracks) if pressed briefly while listening to a CD.

To be continued on the next page

35

36

CD CHANGER OPERATIONS

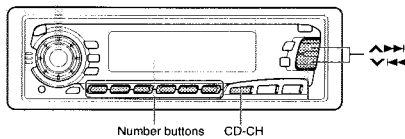
We recommend that you use one of the CH-X series (ex: CH-X1200) with your unit. If you have another CD automatic changer, consult your JVC IN-CAR ENTERTAINMENT dealer for connections.

• For example, if your CD automatic changer is one of the KD-MK series, you need a cord (KS-U15K; not supplied) for connecting it to this unit.

Before operating your CD automatic changer:

- Refer also to the instructions supplied with your CD changer.
- If no discs are in the magazine of the CD changer or the discs are inserted upside down, "NO DISC" will appear on the display. If this happens, remove the magazine and set the discs correctly.
- If "RESET 1" - "RESET 0" appears on the display, something is wrong with the connection between this unit and the CD changer. If this happens, check the connection, connect the connecting cord(s) firmly if necessary, then press the reset button of the CD changer.

Playing CDs

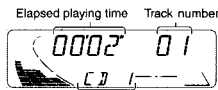


Number buttons CD-CH



Select the CD automatic changer.

Playback starts from the first track of the first disc. All tracks of all discs are played back.



Disc number (or clock time: see page 29) appears.

Note on One-Touch Operation:

When you press CD-CH, the power automatically comes on. You do not have to press \odot /I/ATT to turn on the power.

37



To fast-forward or reverse the track



Press and hold $\blacktriangle\blacktriangleright$, while playing a CD, to fast-forward the track.

Press and hold $\blacktriangleleft\blacktriangle$, while playing a CD, to reverse the track.

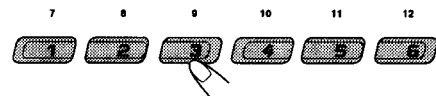
To go to the next tracks or the previous tracks



Press $\blacktriangle\blacktriangleright$ briefly, while playing a CD, to go ahead to the beginning of the next track. Each time you press the button consecutively, the beginning of the next tracks is located and played back.

Press $\blacktriangleleft\blacktriangle$ briefly, while playing a CD, to go back to the beginning of the current track. Each time you press the button consecutively, the beginning of the previous tracks is located and played back.

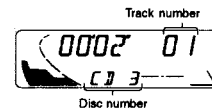
To go to a particular disc directly



Press the number button corresponding to the disc number to start its playback (while the CD changer is playing).

- To select a disc number from 1 - 6:
Press 1 (7) - 6 (12) briefly.
- To select a disc number from 7 - 12:
Press and hold 1 (7) - 6 (12) for more than 1 second.

Ex. When disc number 3 is selected



To show the CD Text information

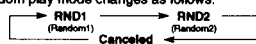
See "Playing a CD Text" on page 21.

38

Selecting CD playback modes

To play back tracks at random (Random Play)

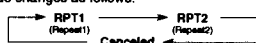
Each time you press MO RND (Monaural/Random) while playing a CD, CD random play mode changes as follows:



Mode	RND Indicator	Plays at random
RND1	Lights	All tracks of the current disc, then the tracks of the next disc, and so on.
RND2	Flashes	All tracks of all discs inserted in the magazine.

To play back tracks repeatedly (Repeat Play)

Each time you press RPT (Repeat), while playing a CD, CD repeat play mode changes as follows:

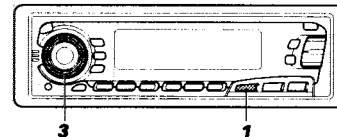


Mode	RPT Indicator	Plays repeatedly
RPT1	Lights	The current track (or specified track).
RPT2	Flashes	All tracks of the current disc (or specified disc).

39

EXTERNAL COMPONENT OPERATIONS

You can connect the external component to the CD changer jack on the rear using the Line Input Adaptor KS-U57 (not supplied).



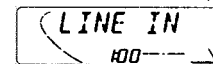
Preparations:

- For connecting the Line Input Adaptor KS-U57 and the external component, refer to the Installation/Connection Manual (separate volume).
- Before operating the external component using the following procedure, select the external input correctly. (See "Selecting the external component to use" on page 33.)

1



Select the external component.



- If "LINE IN" does not appear on the display, see page 33 and select the external input ("LINE IN").
- Displayed only when one of the following sources is selected - FM, AM and CD.

Note on One-Touch Operation:
When you press CD-CH, the power automatically comes on. You do not have to press \odot /I/ATT to turn on the power.

2

Turn on the connected component and start playing the source.

3



Adjust the volume.

39

40

DAB TUNER OPERATIONS

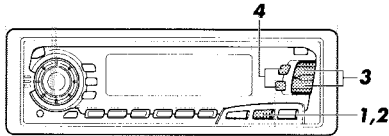
We recommend that you use DAB (Digital Audio Broadcasting) tuner KT-DB1500 with your unit.
 If you have another DAB tuner, consult your JVC IN-CAR ENTERTAINMENT dealer.
 • Refer also to the Instructions supplied with your DAB tuner.

What is DAB system?

DAB is one of the digital radio broadcasting systems available today. It can deliver CD quality sound without any annoying interference and signal distortion. Furthermore, it can carry text, pictures and data.
 In contrast to FM broadcast, where each programme is transmitted on its own frequency, DAB combines several programmes (called "services") to form one "ensemble".
 With the DAB tuner connected with this unit, you can enjoy these DAB services.

Tuning into an ensemble and one of the services

A typical ensemble has 6 or more programmes (services) broadcast at the same time. After tuning into an ensemble, you can select a service you want to listen to.



Before you start....

Press FM/AM/DAB briefly if you are selecting CD, CD changer or LINE IN as the source.

1



DAB

Select the DAB tuner.

Each time you press and hold the button for more than 1 second, the DAB tuner and the FM/AM tuner are alternately selected.

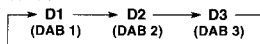
DAB ↔ FM/AM

2



DAB

Select the DAB band (DAB1, DAB2, or DAB3).
 You can select any one of DAB1, DAB2, and DAB3 to tune into an ensemble.



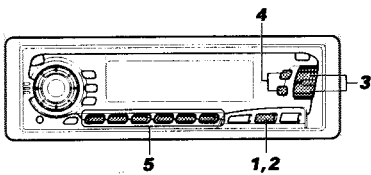
To be continued on the next page

41

42

Storing DAB services in memory

You can preset up to 6 DAB services in each DAB band (DAB1, DAB2 and DAB3) manually.



1



DAB

Select the DAB tuner.

Each time you press and hold the button, the DAB tuner and the FM/AM tuner are alternately selected.

DAB ↔ FM/AM

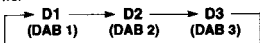
2



DAB

Select the DAB band (DAB1, DAB2, or DAB3) you want.

Each time you press the button, the DAB band changes as follows:



3



Tune into an ensemble you want.

4



Select a service of the ensemble you want.

To be continued on the next page

43

44

DAB

3



To search ensembles of higher frequencies.

To search ensembles of lower frequencies.

Start searching an ensemble.
 When an ensemble is received, searching stops.

4



Select a service you want to listen to.

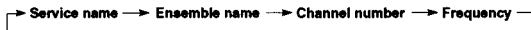
To stop searching before an ensemble is received, press the same button you have pressed for searching.

To change the display information while tuning into an ensemble

Normally service name is shown on the upper part of the display.

If you want to check the ensemble name or its frequency, press DISP.

Each time you press the button, the following information appears for a while on the part of the display.



To restore the FM/AM tuner

Press and hold FM/AM/DAB for more than 1 second again.

To tune in a particular ensemble without searching:

1 Press and hold FM/AM/DAB for more than 1 second.

2 Press FM/AM/DAB repeatedly to select the DAB band (DAB1, DAB2, or DAB3).

3 Press and hold ▲▶▶ or ▼◀◀ for more than 1 second.

4 Press ▲▶▶ or ▼◀◀ repeatedly until the ensemble you want is reached.

• If you hold down the button, the frequency keeps changing until you release the button.

DAB

5

Press and hold the number button (in this example, 1) for more than 2 seconds.



Band/preset number and "MEMO" flash alternately for a while.



6

Repeat the above procedure to store other DAB services into other preset numbers.

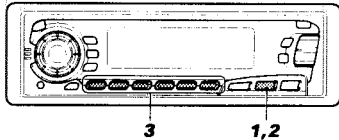
Notes:

- A previously preset DAB service is erased when a new DAB service is stored in the same preset number.
- Preset DAB services are erased when the power supply to the memory circuit is interrupted (for example, during battery replacement). If this occurs, preset the DAB services again.




Tuning into a preset DAB service

You can easily tune into a preset DAB service. Remember that you must store services first. If you have not stored them yet, see pages 43 and 44.




- 1** **DAB**




Select the DAB tuner. Each time you press and hold the button, the DAB tuner and the FM/AM tuner are alternately selected.

DAB ↔ FM/AM
- 2** **DAB**



Select the DAB band (DAB1, DAB2, or DAB3) you want. Each time you press the button, the DAB band changes as follows:

→ D1 → D2 → D3
(DAB 1) (DAB 2) (DAB 3)
- 3**





Select the number (1 – 6) for the preset DAB service you want.

45

MAINTENANCE

Handling CDs

This unit has been designed only to reproduce the CDs bearing the  and  marks. Other discs cannot be played back.

How to handle CDs

When removing a CD from its case, press down the center holder of the case and lift the CD out, holding it by the edges.

- Always hold the CD by the edges. Do not touch its recording surface.

When storing a CD into its case, gently insert the CD around the center holder (with the printed surface facing up).

- Make sure to store CDs into the cases after use.

To keep CDs clean

A dirty CD may not play correctly. If a CD does become dirty, wipe it with a soft cloth in a straight line from center to edge.

To play new CDs

New CDs may have some rough spots around the inner and outer edges. If such a CD is used, this unit may reject the CD.

To remove these rough spots, rub the edges with a pencil or ball-point pen, etc.

Moisture condensation

Moisture may condense on the lens inside the CD player in the following cases:

- After starting the heater in the car.
 - If it becomes very humid inside the car.
- Should this occur, the CD player may malfunction. In this case, eject the CD and leave the unit turned for a few hours until the moisture evaporates.

CAUTIONS:

- Do not insert 8 cm CDs (single CDs) into the loading slot. (Such CDs cannot be ejected.)
- Do not insert any CD of unusual shape — like a heart or flower; otherwise, it will cause a malfunction.
- Do not expose CDs to direct sunlight or any heat source or place them in a place subject to high temperature and humidity. Do not leave them in a car.
- Do not use any solvent (for example, conventional record cleaner, spray, thinner, benzine, etc.) to clean CDs.

When playing a CD-R (Recordable)

You can play back your original CD-Rs on this receiver.

- Before playing back CD-Rs, read their instructions or cautions carefully.
- Some CD-Rs recorded on CD recorders may not be played back on this receiver because of their disc characteristics, and of the following reasons:
 - Discs are dirty or scratched.
 - Moisture condensation occurs on the lens inside the unit.
 - The pickup lens inside the CD player is dirty.
- Use only "finalized" CD-Rs.
- CD-RWs (Rewritable) cannot be played back on this receiver.
- Do not use CD-Rs with stickers or sticking labels on the surface. They may cause malfunctions.

About mistracking:

Mistracking may result from driving on extremely rough roads. This does not damage the unit and the CD, but will be annoying. We recommend that you stop CD play while driving on such rough roads.

47



What you can do more with DAB

Tracing the same program automatically (Alternative Reception)

You can keep listening to the same program

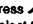

- **While receiving a DAB service:**
 - When driving in an area where a service cannot be received, this unit automatically tune in another ensemble or FM RDS station, broadcasting the same program.
- **While receiving an FM RDS station:**
 - When driving in an area where a DAB service is broadcasting the same program as the FM RDS station is broadcasting, this unit automatically tunes into the DAB service.

Note:

When reception switches between DAB and FM, the listening volume level may increase or decrease incoherently. This change in the volume level results from unequal audio injection levels at broadcaster site, but not from the malfunction of this unit.

To use Alternative Reception

When shipped from the factory, Alternative Reception is activated.

- 1 Press and hold SEL (select) for more than 2 seconds so that one of the PSM items appears on the display.
- 2 Press  or  to select "DAB AF," if not shown on the display.
- 3 Select the desired mode with the control dial.
 - AF ON: Traces the program among DAB services and FM RDS stations—Alternative Reception. The AF indicator lights up on the display (see page 10).
 - AF OFF: Deactivates Alternative Reception

Note:



When Alternative Reception (for DAB services) is activated, Network-Tracking Reception (for RDS stations: see page 10) is also activated automatically. On the other hand, Network-Tracking Reception cannot be deactivated without deactivating Alternative Reception.

- 4 Press SEL (select) again to finish the setting.

46

TROUBLESHOOTING

What appears to be trouble is not always serious. Check the following points before calling a service center.

Symptoms	Causes	Remedies
• CD cannot be played back.	CD is inserted upside down.	Insert the CD correctly.
• CD sound is sometimes interrupted.	You are driving on rough roads.	Stop playing CD while driving on rough roads.
	The disc is scratched.	Change the disc.
	Connections are incorrect.	Check the cords and connections.
• Sound is sometimes interrupted.	Connections are incorrect.	Check the cords and connections.
• Sound cannot be heard from the speakers.	The volume is turned to the minimum level.	Adjust it to the optimum level.
	Connections are incorrect.	Check the cords and connections.
• SSM (Strong-station Sequential Memory) automatic preset does not work.	Signals are too weak.	Store stations manually.
• Static noise while listening to the radio.	The antenna is not connected firmly.	Connect the antenna firmly.
	No CD is in the magazine.	Insert CDs into the magazine.
• "NO DISC" appears on the display.	CDs are inserted incorrectly.	Insert them correctly.
• "RESET 8" appears on the display.	This unit is not connected to a CD changer correctly.	Connect this unit and the CD changer correctly and press the reset button of the CD changer.
• "RESET 1-RESET 7" appears on the display.	—	Press the reset button of the CD changer.
• CD can be neither played back nor ejected.	The unit may function incorrectly.	Press CD and SEL at the same time for several seconds. ("PLEASE" and "EJECT" appear on the display alternately.) When you open the control panel by pressing  , be careful not to drop CD when it is ejected.
• This unit does not work at all.	The built-in microcomputer may function incorrectly due to noise, etc.	Press and hold both SEL and  /ATT at the same time for several seconds to reset the unit. (The clock setting and preset stations stored in memory are erased.) (See page 2.)
• The CD changer does not work at all.	—	—

48

SPECIFICATIONS

AUDIO AMPLIFIER SECTION

Maximum Power Output:
Front: 45 W per channel
Rear: 45 W per channel
Continuous Power Output (RMS):
Front: 17 W per channel into 4 Ω , 40 Hz to 20,000 Hz at no more than 0.8% total harmonic distortion.
Rear: 17 W per channel into 4 Ω , 40 Hz to 20,000 Hz at no more than 0.8% total harmonic distortion.
Load impedance: 4 Ω (4 Ω to 8 Ω allowance)
Tone Control Range
Bass: ± 10 dB at 100 Hz
Treble: ± 10 dB at 10 kHz
Frequency Response: 40 Hz to 20,000 Hz
Signal-to-Noise Ratio: 70 dB
Line-Out Level/Impedance: 2.0 V/20 k Ω load (full scale)
Output impedance: 1 k Ω

TUNER SECTION

Frequency Range
FM: 87.5 MHz to 108.0 MHz
AM: (MW) 522 kHz to 1,620 kHz
(LW) 144 kHz to 279 kHz

[FM Tuner]

Usable Sensitivity: 11.3 dBf (1.0 μ V/75 Ω)
50 dB Quieting Sensitivity:
16.3 dBf (1.8 μ V/75 Ω)
Alternate Channel Selectivity (400 kHz):
65 dB
Frequency Response: 40 Hz to 15,000 Hz
Stereo Separation: 30 dB
Capture Ratio: 1.5 dB

[MW Tuner]

Sensitivity: 20 μ V
Selectivity: 35 dB

[LW Tuner]

Sensitivity: 50 μ V

CD PLAYER SECTION

Type: Compact disc player
Signal Detection System: Non-contact optical pickup (semiconductor laser)
Number of channels: 2 channels (stereo)
Frequency Response: 5 Hz to 20,000 Hz
Dynamic Range: 96 dB
Signal-to-Noise Ratio: 98 dB
Wow and Flutter: Less than measurable limit

GENERAL

Power Requirement
Operating Voltage: DC 14.4 V (11 V to 16 V allowance)
Allowable Operational Temperature:
0°C to +40°C
Grounding System: Negative ground
Dimensions (W x H x D)
Installation Size:
182 mm x 52 mm x 150 mm
Panel Size: 188 mm x 58 mm x 11 mm
Mass: 1.4 kg (excluding accessories)

Design and specifications subject to change without notice.



Having TROUBLE with operation?

Please reset your unit

Refer to page of How to reset your unit

Haben Sie PROBLEME mit dem Betrieb?

Bitte setzen Sie Ihr Gerät zurück

Siehe Seite Zurücksetzen des Geräts

Vous avez des PROBLÈMES de fonctionnement?

Réinitialisez votre appareil

Référez-vous à la page intitulée Comment réinitialiser votre appareil

Hebt u PROBLEMEN met de bediening?

Stel het apparaat terug

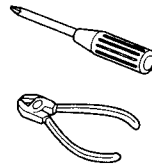
Zie de pagina met de paragraaf Het apparaat terugstellen

JVC
VICTOR COMPANY OF JAPAN, LIMITED

JVC KD-SX979R/KD-SX925R KD-SX924R/KD-SX909R

Installation/Connection Manual
Einbau/Anschlußanleitung
Manuel d'installation/raccordement

FSUN3115-T211
[E]



1299MNMMDWJES
EN, GE, FR

ENGLISH

- This unit is designed to operate on 12 volts DC, NEGATIVE ground electrical systems.

INSTALLATION (IN-DASH MOUNTING)

- The following illustration shows a typical installation. However, you should make adjustments corresponding to your specific car. If you have any questions or require information regarding installation kits, consult your JVC IN-CAR ENTERTAINMENT dealer or a company supplying kits.

- Before mounting:** Press **▲** (Control Panel Release button) to detach the control panel.
- Remove the trim plate.
- Remove the sleeve after disengaging the sleeve locks.
 - Stand the unit.

Note: When you stand the unit, be careful not to damage the fuse on the rear.
 - Insert the 2 handles between the unit and the sleeve, as illustrated, to disengage the sleeve locks.
 - Remove the sleeve.

Note: Be sure to keep the handles for future use after installing the unit.
- Install the sleeve into the dashboard.
 - After the sleeve is correctly installed into the dashboard, bend the appropriate tabs to hold the sleeve firmly in place, as illustrated.
- Fix the mounting bolt to the rear of the unit's body and place the rubber cushion over the end of the bolt.
- Do the required electrical connections.
- Slide the unit into the sleeve until it is locked.
- Attach the trim plate so that the projection on the trim plate is fixed to the left side of the unit.
- Attach the control panel.

DEUTSCH

- Dieses Gerät ist für einen Betrieb in elektrischen Anlagen mit 12 V Gleichstrom und (-) Erdung ausgelegt.

EINBAU (IM ARMATURENBRETT)

- Die folgende Abbildung zeigt einen typischen Einbau. Dennoch müssen Sie entsprechend Ihrem jeweiligen Auto Anpassungen vornehmen. Bei irgendwelchen Fragen oder wenn Sie Informationen hinsichtlich des Einbausatzes brauchen, wenden Sie sich an ihren JVC Autoradiohändler oder ein Unternehmen das diese Einbausätze vertreibt.

- Vor dem Einbau:** **▲** (Schalttafel-Freigabetaste) zum Lösen der Schalttafel drücken.
- Den Frontrahmen herausnehmen.
- Die Halterung nach dem Entriegeln der Halterungssperren abnehmen.
 - Das Gerät aufstellen.

Hinweis: Beim Aufstellen des Geräts darauf achten, daß die Sicherung auf der Rückseite nicht beschädigt wird.
 - Die beiden Griffe zwischen dem Gerät und der Halterung wie abgebildet einstecken und die Halterungssperren entriegeln.
 - Die Halterung entfernen.

Hinweis: Sicherstellen, daß die Griffe für künftigen Gebrauch nach dem Einbau des Geräts aufbewahrt werden.
- Die Halterung im Armaturenbrett einbauen.
 - Nach dem korrekten Einbau der Halterung im Armaturenbrett, die entsprechenden Riegel umknicken, um die Halterung an ihrem Platz zu sichern, siehe Abbildung.
- Die Befestigungsschraube an der Rückseite des Gerätekörpers befestigen und das Ende der Schraube mit einem Gummipuffer abdecken.
- Nehmen Sie die erforderlichen elektrischen Anschlüsse vor.
- Das Gerät in die Halterung schieben, bis es einrastet.
- Befestigen Sie die Frontrahmen in der Form, daß der Fortsatz der Frontrahmen auf der linken Seite des Geräts befestigt wird.
- Die Schalttafel anbringen.

FRANCAIS

- Cet appareil est conçu pour fonctionner sur des sources de courant continu de 12 volts à masse NEGATIVE.

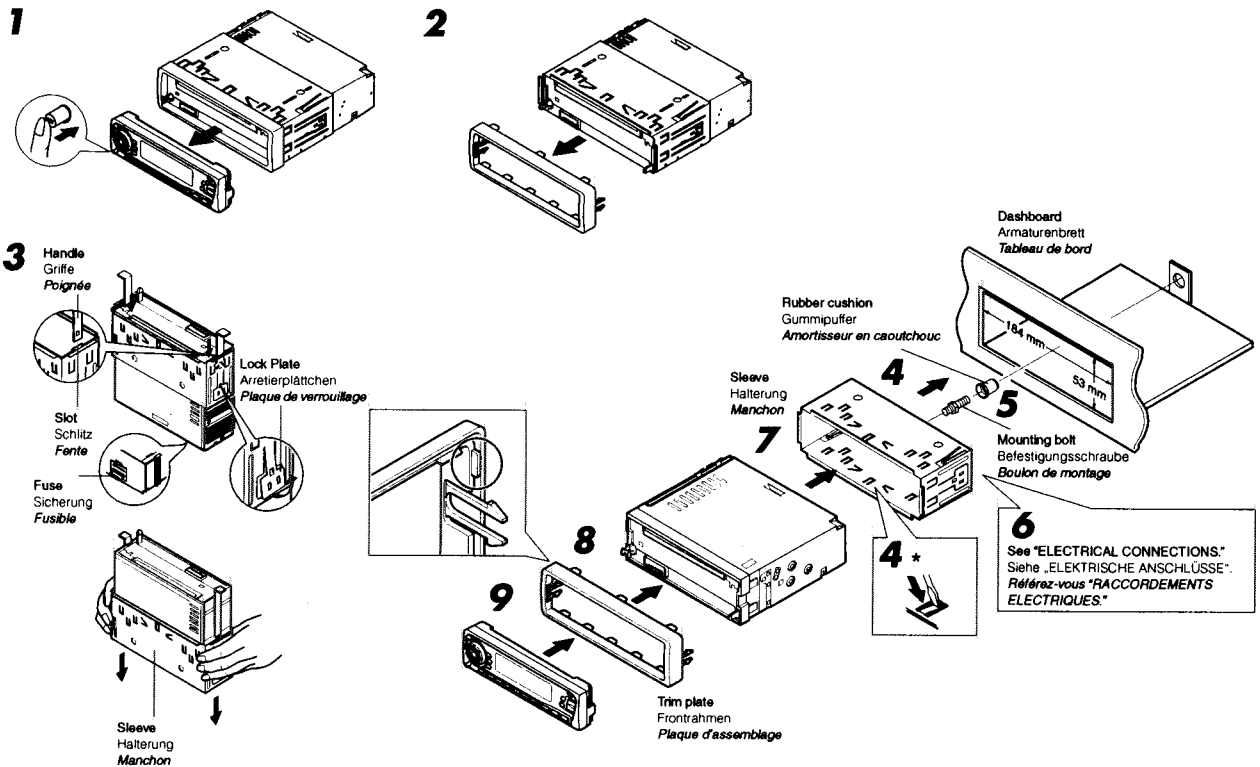
INSTALLATION (MONTAGE DANS LE TABLEAU DE BORD)

- L'illustration suivante est un exemple d'installation typique. Cependant, vous devez faire les ajustements correspondant à votre voiture particulière. Si vous avez des questions ou avez besoin d'information sur des kits d'installation, consultez votre revendeur d'autoradios JVC ou une compagnie d'approvisionnement.

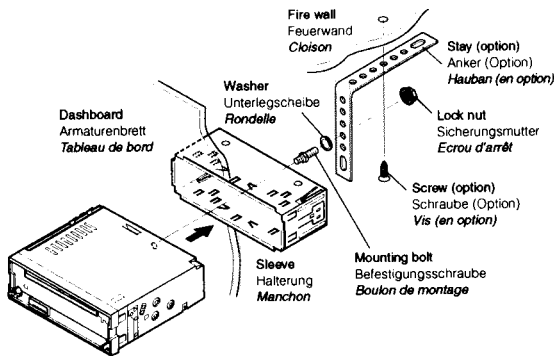
- Avant le montage:** Appuyer sur **▲** (touche de libération du panneau de commande) pour détacher le panneau de commande.
- Retirer la plaque d'assemblage.
- Libérer les verrous du manchon et retirer le manchon.
 - Poser l'appareil à la verticale.

Remarque: Lorsque vous mettez l'appareil à la verticale, faire attention de ne pas endommager le fusible situé sur le fond.
 - Insérer les 2 poignées entre l'appareil et le manchon comme indiqué pour désengager les verrous de manchon.
 - Retirer le manchon.

Remarque: S'assurer de garder les poignées pour une utilisation ultérieure, après l'installation de l'appareil.
- Installer le manchon dans le tableau de bord.
 - Après installation correcte du manchon dans le tableau de bord, plier les bonnes pattes pour maintenir fermement le manchon en place, comme montré.
- Monter le boulon de montage sur l'arrière du corps de l'appareil puis passer l'amortisseur en caoutchouc sur l'extrémité du boulon.
- Réaliser les connexions électriques.
- Faire glisser l'appareil dans le manchon jusqu'à ce qu'il verrouillé.
- Attacher la plaque d'assemblage de façon que la projection de la plaque soit fixée sur le côté gauche de l'appareil.
- Remonter le panneau de commande.



- When using the optional stay
- Beim Verwenden der Anker-Option
- Lors de l'utilisation du hauban en option

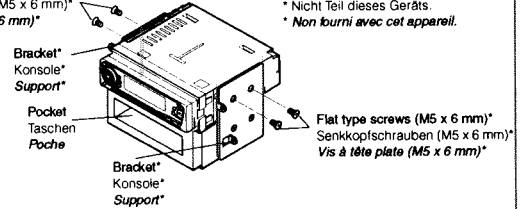


- When installing the unit without using the sleeve
- Beim Einbau des Geräts ohne Halterung
- Lors de l'installation de l'appareil sans utiliser de manchon

In a Toyota for example, first remove the car radio and install the unit in its place. Zum Beispiel in einem Toyota zuerst das Autoradio ausbauen und dann das Gerät an seinem Platz einbauen. Par exemple dans une Toyota, retirer d'abord l'autoradio et installer l'appareil à la place.

Flat type screws (M5 x 6 mm)*
Senkkopfschrauben (M5 x 6 mm)*
Vis à tête plate (M5 x 6 mm)*

- * Not included with this unit.
- * Nicht Teil dieses Geräts.
- * Non fourni avec cet appareil.



Note: When installing the unit on the mounting bracket, make sure to use the 6 mm-long screws. If longer screws are used, they could damage the unit.

Hinweis: Beim Anbringen des Gerät an der Konsole sicherstellen, daß 6 mm lange Schrauben verwendet werden. Werden längere Schrauben verwendet, können sie das Gerät beschädigen.

Remarque: Lors de l'installation de l'appareil sur le support de montage, s'assurer d'utiliser des vis d'une longueur de 6 mm. Si des vis plus longues sont utilisées, elles peuvent endommager l'appareil.

Removing the unit

- Before removing the unit, release the rear section.
- 1 Remove the control panel.
- 2 Remove the trim plate.
- 3 Insert the 2 handles into the slots, as shown. Then, while gently pulling the handles away from each other, slide out the unit. (Be sure to keep the handles after installing it.)

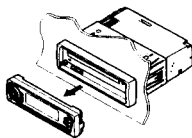
Ausbau des Geräts

- Vor dem Ausbau des Geräts den hinteren Teil freigeben.
- 1 Die Schalttafel abnehmen.
- 2 Den Frontrahmen abnehmen.
- 3 Die 2 Griffe in die Schlitzte wie gezeigt stecken. Dann die Griffe behutsam auseinander ziehen und das Gerät herausziehen. (Die Griffe nach dem Einbau auf jeden Fall aufbewahren.)

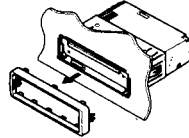
Retrait de l'appareil

- Avant de retirer l'appareil, libérer la section arrière.
- 1 Retirer le panneau de commande.
- 2 Retirer la plaque d'assemblage.
- 3 Introduire les deux poignées dans les fentes, comme montré. Puis, tout en tirant doucement les poignées écartées, faire glisser l'appareil pour le sortir. (S'assurer de conserver les poignées après l'installation de l'appareil.)

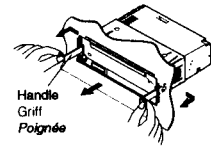
1



2



3



Parts list for installation and connection

The following parts are provided with this unit. After checking them, please set them correctly.

Teilliste für den Einbau und Anschluß

Die folgenden Teile werden zusammen mit diesem Gerät geliefert. Nach ihrer Überprüfung, die Teile richtig einsetzen.

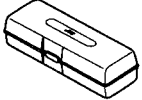
Liste des pièces pour l'installation et raccordement

Les pièces suivantes sont fournies avec cet appareil. Après vérification, veuillez les placer correctement.

Hard case

Etui

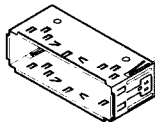
Etui de transport



Sleeve

Halterung

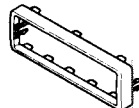
Manchon



Trim plate

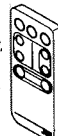
Frontrahmen

Plaque d'assemblage



ONLY FOR KD-SX979R, KD-SX925R, KD-SX924R
NUR FÜR KD-SX979R, KD-SX925R, KD-SX924R
SEULEMENT POUR LES KD-SX979R, KD-SX925R, KD-SX924R

Remote controller
Fernbedienung
Télécommande



Battery
Batterie
Pile

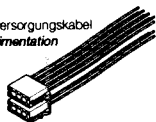


CR2025

Power cord

Spannungsversorgungskabel

Cordon d'alimentation



Handles

Griffe

Poignées



Washer (x5)

Unterlegscheibe(x5)

Rondelle (x5)



Lock nut (M5)

Sicherungsmutter (M5)

Ecrou d'arrêt (M5)



Mounting bolt (M5 x 20 mm)

Befestigungsschrauben (M5 x 20 mm)

Boulon de montage (M5 x 20 mm)



Rubber cushion

Gummipuffer

Amortisseur en caoutchouc



ENGLISH

ELECTRICAL CONNECTIONS

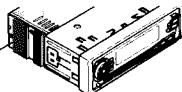
To prevent short circuits, we recommend that you disconnect the battery's negative terminal and make all electrical connections before installing the unit. If you are not sure how to install this unit correctly, have it installed by a qualified technician.

Note:

This unit is designed to operate on 12 volts DC, NEGATIVE ground electrical systems. If your vehicle does not have this system, a voltage inverter is required, which can be purchased at JVC IN-CAR ENTERTAINMENT dealers.

- Replace the fuse with one of the specified rating. If the fuse blows frequently, consult your JVC IN-CAR ENTERTAINMENT dealer.
- If noise is a problem...
- This unit incorporates a noise filter in the power circuit. However, with some vehicles, clicking or other unwanted noise may occur. If this happens, connect the unit's rear ground terminal (see connection diagram) to the car's chassis using shorter and thicker cords, such as copper braiding or gauge wire. If noise still persists, consult your JVC IN-CAR ENTERTAINMENT dealer.
- Maximum input of the speakers should be more than 45 watts at the rear and 45 watts at the front, with an impedance of 4 to 8 ohms.
- Be sure to ground this unit to the car's chassis.
- The heat sink becomes very hot after use. Be careful not to touch it when removing this unit.

Heat sink
Abstrahlblech
Dissipateur de chaleur



DEUTSCH

ELEKTRISCHE ANSCHLÜSSE

Zur Vermeidung von Kurzschlüssen empfehlen wir, daß Sie den negativen Batterieanschluß abtrennen und alle elektrischen Anschlüsse herstellen, bevor das Gerät eingebaut wird. Sind Sie sich über den richtigen Einbau des Geräts nicht sicher, lassen Sie es von einem qualifizierten Techniker einbauen.

Hinweis:

Dieses Gerät ist für den Betrieb in elektrischen Anlagen mit 12 V Gleichstrom und (-) Erdung ausgelegt. Verfügt Ihr Fahrzeug nicht über diese Anlage, ist ein Spannungsvertreiber erforderlich, der bei JVC Autoradiohändler erworben werden kann.

- Die Sicherung mit einer der entsprechenden Nennleistung ersetzen. Brennt die Sicherung häufig durch, wenden Sie sich an Ihren JVC Autoradiohändler.
- Sind Störgeräusche ein Problem... Dieses Gerät enthält ein Störfilter im Stromkreis. Bei manchen Fahrzeugen kann jedoch ein Klicken oder andere unerwünschte Störgeräusche auftreten. Sollte das der Fall sein, die hintere Erdungsanschlußklemme (siehe Schaltplan) des Geräts am Fahrwerk des Fahrzeugs anschließen, dabei kürzere und dickere Kabel wie beispielsweise Kupfergeflechtstrahl oder Stahldraht verwenden. Bleibt Störgeräusch bestehen, wenden Sie sich an Ihren JVC Autoradiohändler.
- Maximale Eingangsleistung der Lautsprecher muß höher als 45 W hinten und 45 W vorne sein, mit einer Impedanz von 4 bis 8 Ohm.
- Sicherstellen, daß das Gerät am Fahrwerk geerdet wird.
- Das Abstrahlblech wird nach dem Gebrauch sehr heiß. Beim Ausbau des Geräts darauf achten, das Abstrahlblech nicht zu berühren.

FRANCAIS

RACCORDEMENTS ELECTRIQUES

Pour éviter tout court-circuit, nous vous recommandons de débrancher la borne négative de la batterie et d'effectuer tous les raccordements électriques avant d'installer l'appareil. Si l'on n'est pas sûr de pouvoir installer correctement cet appareil, le faire installer par un technicien qualifié.

Remarque:

Cet appareil est conçu pour fonctionner sur des sources de courant continu de 12 volts à masse NEGATIVE. Si votre véhicule n'offre pas ce type d'alimentation, il vous faut un convertisseur de tension, que vous pouvez acheter chez un revendeur d'autoradios JVC.

- Remplacer le fusible par un de la valeur précisée. Si le fusible saute souvent, consulter votre revendeur d'autoradios JVC.
- Si le bruit est un problème... Cet appareil incorpore un filtre de bruit dans le circuit d'alimentation. Cependant, avec certains véhicules, quelques claquements ou autres bruits non désirés risquent de se produire. Si cela arrive, raccorder la borne de masse arrière de l'appareil au châssis de la voiture (voir le schéma de raccordement) en utilisant des cordons les plus gros et les plus courts possibles telle qu'une barre de cuisine ou une tresse. Si le bruit persiste, consulter votre revendeur d'autoradios JVC.
- La puissance admissible des haut-parleurs doit être supérieure à 45 watts à l'arrière et à 45 watts l'avant, avec une impédance de 4 à 8 ohms.
- S'assurer de raccorder la mise à la masse de cet appareil au châssis de la voiture.
- Le radiateur devient très chaud après usage. Faire attention de ne pas le toucher en retirant cet appareil.

Typical Connections / Typische Anschlüsse / Raccordements typiques

Before connecting: Check the wiring in the vehicle carefully. Incorrect connection may cause serious damage to this unit.

1 Connect the colored leads of the power cord to the car battery, speakers and power aerial (if any) in the following sequence.

- ① Black: ground
- ② Yellow: to car battery (constant 12V)
- ③ Red: to an accessory terminal
- ④ Others: to speakers
- ⑤ Blue with white stripe: to power aerial (200mA max.)
- ⑥ Orange with white stripe (ONLY FOR KD-SX979R): to car light control switch
- ⑦ Brown: to cellular phone system (For details, refer to the instructions of the cellular phone.)

2 Connect the aerial cord.

3 Finally connect the wiring harness to the unit.

Note: If your vehicle does not have any accessory terminal, move the fuse from the fuse position 1 (initial position) to fuse position 2, and connect the red lead (A7) to the positive (+) battery terminal.
• The yellow lead (A4) is not used in this case.

Vor dem Anschließen: Die Verdrahtung im Fahrzeug sorgfältig überprüfen. Falsche Anschlüsse können ernsthafte Schäden am Gerät hervorrufen.

1 Die farbigen Leitungen des Spannungsversorgungskabels an der Autobatterie, den Lautsprechern und dem Motorantenne (sofern vorhanden) in folgender Reihenfolge anschließen.

- ① Schwarz: Erdung
- ② Gelb: an Autobatterie (konstant 12 V)
- ③ Rot: an Zubehöranschlussterminal
- ④ Andere: an Lautsprecher
- ⑤ Blau mit weißem Streifen: an Motorantenne (max. 200 mA)
- ⑥ Orange mit weißem Streifen (NUR FÜR KD-SX979R): zum Autolichtschalter
- ⑦ Braun: an Mobiltelefon (Weitere Informationen entnehmen Sie bitte der Bedienungsanleitung des Mobiltelefons.)

2 Das Antennenkabel anschließen.

3 Die Kabelbäume am Gerät anschließen.

Hinweis: Verfügt Ihr Fahrzeug nicht über eine Zubehöranschlussterminal, die Sicherung von der 1. Sicherungsposition (Erstposition) in die 2. Sicherungsposition versetzen, die rote Leitung (A7) an der (+) Batterieanschlussterminal anschließen.
• Die gelbe Leitung (A4) wird in diesem Fall nicht verwendet.

Avant de commencer la connexion: vérifiez attentivement le câblage du véhicule. Une connexion incorrecte peut endommager sérieusement l'appareil.

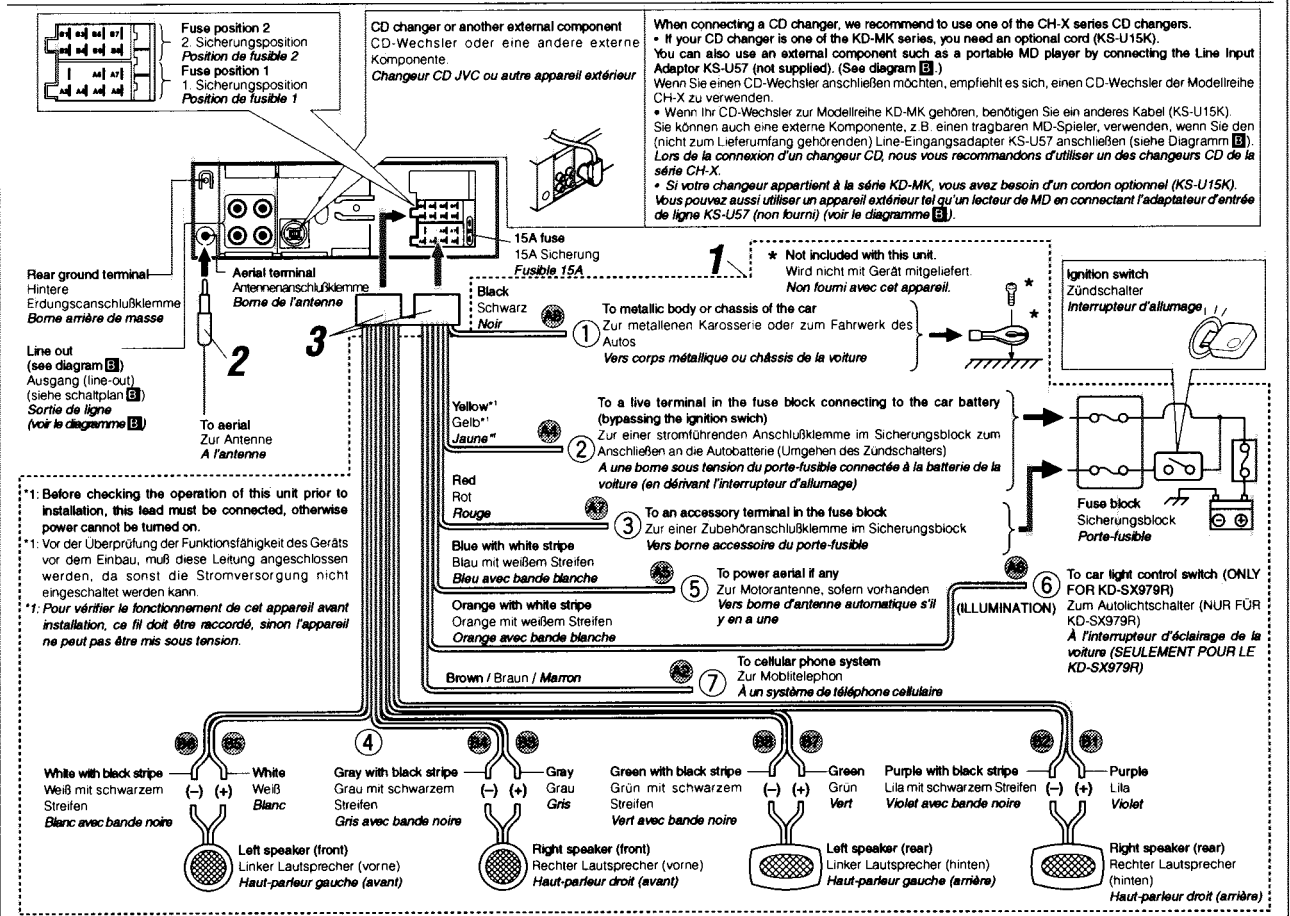
1 Connectez les fils de couleur du cordon d'alimentation à la batterie de la voiture, aux enceintes et à l'antenne automatique (s'il y en a une) dans l'ordre suivant.

- ① Noir: à la masse
- ② Jaune: à la batterie de la voiture (12V constant)
- ③ Rouge: à la prise accessoire
- ④ Autres: aux enceintes
- ⑤ Bleu à bandes blanches: à l'antenne automatique (200 mA max.)
- ⑥ Orange à bandes blanches (SEULEMENT POUR LE KD-SX979R): à l'interrupteur d'éclairage de la voiture
- ⑦ Marron: à un système de téléphone cellulaire (Pour les détails, se référer aux instructions du téléphone cellulaire.)

2 Connectez le cordon d'antenne.

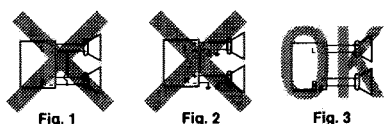
3 Finalement, connectez le faisceau de fils à l'appareil.

Remarque: Si votre véhicule ne possède pas de borne accessoire, déplacez le fusible de la position de fusible 1 (position originale) à la position de fusible 2 et connectez le fil rouge (A7) à la borne positive (+) de la batterie.
• Le fil jaune (A4) n'est pas utilisé dans ce cas.



PRECAUTIONS on power supply and speaker connections:

- DO NOT connect the speaker leads of the power cord to the car battery; otherwise, the unit will be seriously damaged.
- Connect the black lead (ground), yellow lead (to car battery, constant 12V), and red lead (to an accessory terminal) correctly.
- BEFORE connecting the speaker leads of the power cord to the speakers, check the speaker wiring in your car.
 - If the speaker wiring in your car is as illustrated in Fig. 1 and Fig. 2 below, DO NOT connect the unit using that original speaker wiring. If you do, the unit will be seriously damaged. Redo the speaker wiring so that you can connect the unit to the speakers as illustrated in Fig. 3.
 - If the speaker wiring in your car is as illustrated in Fig. 3, you can connect the unit using the original speaker wiring in your car.
 - If you are not sure of the speaker wiring of your car, consult your car dealer.



VORSICHTSMASSREGELN beim Anschließen der Stromversorgung und Lautsprecher:

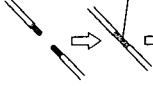
- Die Lautsprecherleitungen des Netzkabels NICHT an der Autobatterie anschließen, da sonst das Gerät schwer beschädigt wird.
- Die schwarze Leitung (Erdung), die gelbe Leitung (zur Autobatterie, konstant 12 V) und die rote Leitung (zur Zubehöranschlussterminal) richtig anschließen.
- VOR dem Anschließen der Lautsprecherleitungen des Spannungsversorgungskabels an die Lautsprecher, die Lautsprecherverdrahtung in Ihrem Auto überprüfen.
 - Ist die Lautsprecherverdrahtung wie unten in "Fig. 1" und "Fig. 2" abgebildet, das Gerät NICHT mit der Originalverdrahtung der Lautsprecher anschließen, da sonst das Gerät schwer beschädigt wird. Die Lautsprecherverdrahtung erneuern, so daß Sie das Gerät an den Lautsprechern wie in "Fig. 3" abgebildet anschließen können.
 - Ist die Lautsprecherverdrahtung in Ihrem Auto wie in "Fig. 3" abgebildet, können Sie das Gerät mit der Originalverdrahtung der Lautsprecher in Ihrem Auto anschließen.
 - Sind Sie sich über die Lautsprecherverdrahtung in Ihrem Auto nicht sicher, wenden Sie sich an Ihren Autohändler.

PRECAUTIONS sur l'alimentation et la connexion des enceintes:

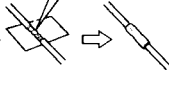
- NE CONNECTEZ PAS les fils d'enceintes du cordon d'alimentation à la batterie; sinon, l'appareil serait sérieusement endommagé.
- Connectez correctement le fil noir (à la masse), le fil jaune (à la batterie de la voiture, 12V constant) et le fil rouge (à la prise accessoire).
- AVANT de connecter les fils d'enceintes du cordon d'alimentation aux enceintes, vérifiez le câblage des enceintes de votre voiture.
 - Si le câblage des enceintes de votre voiture est réalisé comme montré sur la Fig. 1 ou Fig. 2 ci-dessous, NE CONNECTEZ PAS l'appareil en utilisant ce câblage original d'enceintes. Si vous le faites, l'appareil sera sérieusement endommagé. Recommencez le câblage des enceintes de façon que vous puissiez connecter l'appareil aux enceintes comme montré sur la Fig. 3.
 - Si le câblage des enceintes de votre voiture est comme montré sur la Fig. 3, vous pouvez connecter l'appareil en utilisant ce câblage original d'enceintes pour votre voiture.
 - Si vous n'êtes pas sûrs du câblage d'enceintes de votre voiture, consultez le concessionnaire de votre voiture.

Connecting the leads / Anschließen der Leitungen / Raccordement des fils

Twist the core wires when connecting.
 Die Kerndrähte beim Anschließen verdrehen.
Torsader les âmes des fils en les raccordant.

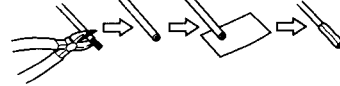


Solder the core wires to connect them securely.
 Die Kerndrähte anlöten, um sie fest anzuschließen.
Souder les âmes des fils pour les raccorder entre eux de façon sûre.



CAUTION / VORSICHT / PRECAUTION:

- To prevent short-circuit, cover the terminals of the UNUSED leads with insulating tape.
- Zur Vermeidung eines Kurzschlusses die Anschlußklemmen der NICHT VERWENDETEN Leitungen mit Isolierklebeband umwickeln.
- Pour éviter les court-circuits, couvrir les bornes des fils qui ne sont PAS utilisés avec de la bande isolante



B Connections Adding Other Equipment / Anschlüsse zum Hinzufügen von anderer Ausrüstung / Raccordement pour ajouter d'autres appareils

Amplifier / Verstärker / Amplificateur

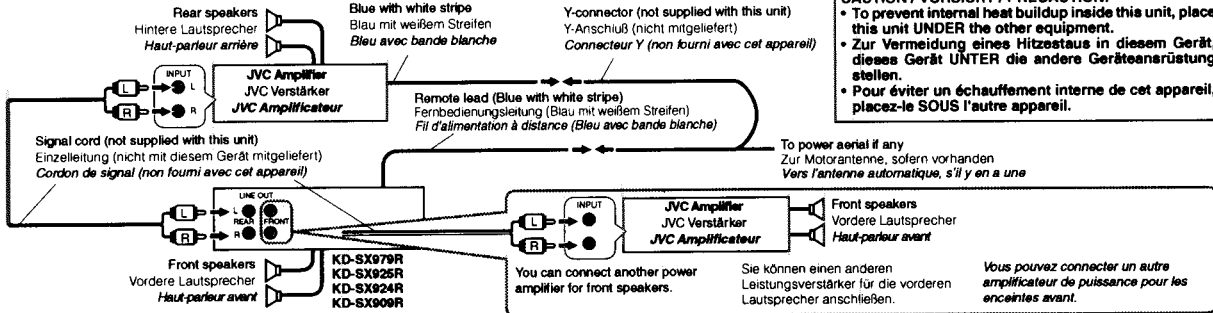
You can connect an amplifier and other equipment to upgrade your car stereo system.

- Connect the remote lead (blue with white stripe) to the remote lead of the other equipment so that it can be controlled through this unit.
- For amplifier only:
 - Connect this unit's line-out terminals to the amplifier's line-in terminals.
 - Disconnect the speakers from this unit, connect them to the amplifier. Leave the speaker leads of this unit unused. (Cover the terminals of these unused leads with insulating tape, as illustrated above.)

- Sie können einen Verstärker oder ein anderes Gerät anschließen, um Ihre Autostereoeinlage zu erweitern.
- Schließen Sie das Fernbedienungskabel (blau mit weißem Streifen) an das Fernbedienungskabel des anderen Geräts an, so daß es über dieses Gerät gesteuert werden kann.
- Nur für den Verstärker:
 - Die Anschlußklemmen am Ausgang dieses Gerät an den Anschlußklemmen des Eingangs des Verstärkers anschließen.
 - Die Lautsprecher von diesem Gerät abtrennen und am Verstärker anschließen. Die Lautsprecherleitungen dieses Geräts unbenutzt lassen. (Die Anschlußklemmen dieser nicht verwendeten Leitungen mit Isolierband umwickeln, siehe Abb. oben.)

Vous pouvez connecter un amplificateur ou autre appareil pour améliorer votre système autoradio.

- Connectez le fil de commande à distance (bleu avec bande blanche) au fil de commande à distance de l'autre appareil de façon qu'il puisse être commandé via cet appareil.
- Pour l'amplificateur seulement:
 - Raccordez les bornes de sortie ligne de cet appareil aux bornes d'entrée ligne de l'amplificateur.
 - Déconnectez les enceintes de cet appareil et connectez-les à l'amplificateur. Laissez les fils d'enceintes de cet appareil inutilisés. (Recouvrez les extrémités de ces fils inutilisés avec de la bande isolante comme montré ci-dessus.)



CAUTION / VORSICHT / PRECAUTION:

- To prevent internal heat buildup inside this unit, place this unit UNDER the other equipment.
- Zur Vermeidung eines Hitzezustaus in diesem Gerät, dieses Gerät UNTER die andere Geräteausrüstung stellen.
- Pour éviter un échauffement interne de cet appareil, placez-le SOUS l'autre appareil.

CD changer and DAB tuner / CD-Wechsler und DAB-Tuner / Changeur CD et tuner DAB

You can connect a JVC CD changer and/or a JVC DAB (Digital Audio Broadcasting) tuner.

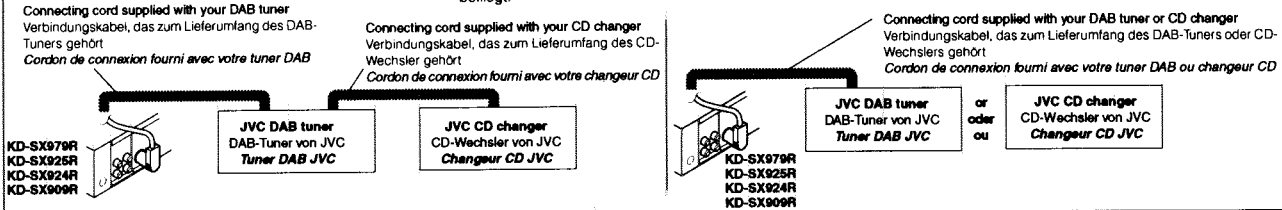
- For their connections, refer to the instructions supplied with them.

Sie können einen CD-Wechsler und/oder einen DAB-Tuner (Tuner für digitalen Rundfunk) von JVC anschließen.

- Weitere Informationen über den Anschluß können Sie der Bedienungsanleitung entnehmen, die dem jeweiligen Gerät beiliegt.

Vous pouvez connecter un changeur CD JVC et/ou un tuner DAB (Digital Audio Broadcast) JVC.

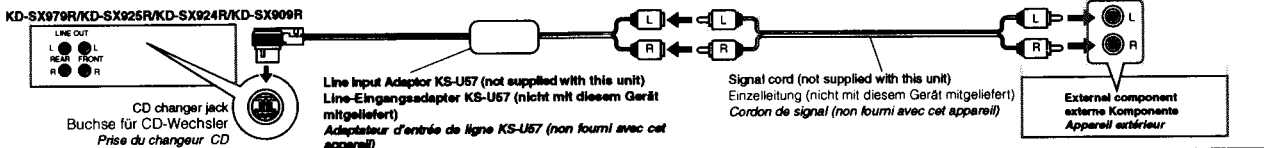
- Pour leurs connexions, référez-vous aux modes d'emploi qui les accompagnent.



CAUTION / VORSICHT / PRECAUTION:

- Before connecting the CD changer and/or the DAB tuner, make sure that the unit is turned off.
- Bevor Sie den CD-Wechsler und/oder den DAB-Tuner anschließen, vergewissern Sie sich, daß das Gerät ausgeschaltet ist.
- Avant de connecter le changeur CD et/ou le tuner DAB, s'assurer que l'unité est éteinte.

External component / Externe Komponente / Appareil extérieur



TROUBLESHOOTING

- The fuse blows.
- Are the red and black leads connected correctly?
- Power cannot be turned on.
- Is the yellow lead connected?
- No sound from the speakers.
- Is the speaker output lead short-circuited?
- Sound is distorted.
- Is the speaker output lead grounded?
- Are the "-" terminals of L and R speakers grounded in common?
- Unit becomes hot.
- Is the speaker output lead grounded?
- Are the "-" terminals of L and R speakers grounded in common?

FEHLERSUCHE

- Die Sicherung brennt durch.
- Sind die roten und schwarzen Leitungen richtig angeschlossen?
- Stromversorgung kann nicht eingeschaltet werden.
- Ist die gelbe Leitung angeschlossen?
- Kein Ton aus den Lautsprechern.
- Ist die Lautsprecherausgangsleitung kurzgeschlossen?
- Ton verzerrt.
- Ist die Lautsprecherausgangsleitung geerdet?
- Sind die (-) Anschlußklemmen der linken und rechten Lautsprecher zusammen geerdet?
- Gerät wird heiß.
- Ist die Lautsprecherausgangsleitung geerdet?
- Sind die (-) Anschlußklemmen der linken und rechten Lautsprecher zusammen geerdet?

EN CAS DE DIFFICULTÉS

- Le fusible saute.
- Les fils rouge et noir sont-ils raccordés correctement?
- L'appareil ne peut pas être mis sous tension.
- Le fil jaune est-elle raccordée?
- Pas de son des haut-parleurs.
- Le fil de sortie de haut-parleur est-il court-circuité?
- Le son est déformé.
- Le fil de sortie de haut-parleur est-il à la masse?
- Les bornes "-" des haut-parleurs gauche et droit sont-elles mises ensemble à la masse?
- L'appareil devient chaud.
- Le fil de sortie de haut-parleur est-il à la masse?
- Les bornes "-" des haut-parleurs gauche et droit sont-elles mises ensemble à la masse?

Disassembly method

■ Removing the front panel unit (See Fig. 1, 2)

1. Press the Eject button to open the front panel unit
2. Push and open the right and left open/close shaft arms outward to remove the shaft.
3. Remove the front panel unit from the same side as the shaft was removed.

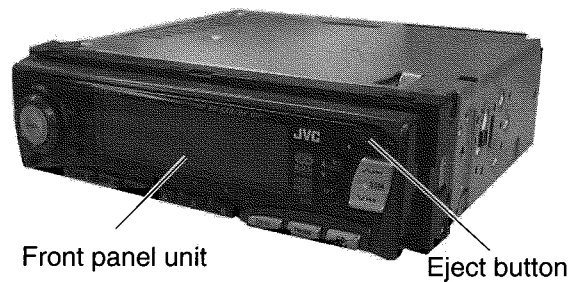


Fig 1

■ Removing the front chassis assembly (See Fig. 3, 4)

1. Remove the front panel unit.
2. Remove the two screws **A** attaching the front chassis assembly.
3. Remove the four ribs **a** attaching the front chassis assembly to the chassis.

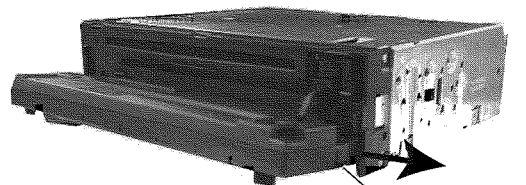


Fig 2

Open/close
shaft arm

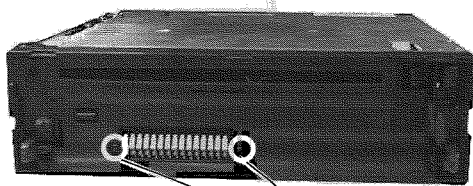


Fig 3

A

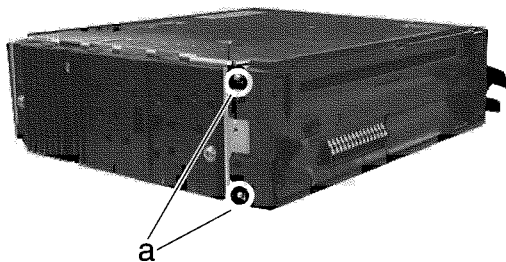


Fig 4

a

■ Removing the bottom cover assembly (See Fig. 5)

Turn the unit upside down, then insert and turn to **b** the screwdriver to remove the bottom cover.



Fig 5

■ **Removing the main board(wiht rear panel)**
(See Fig. 6, Fig. 7)

- 1.Remove three screws **E** retaining the rear panel to the chassis
- 2.Remove one screw **C** retaining the IC to the heat sink.
- 3.Remove two screws **D** retaining the main board.
- 4.Lift up the main board to remove it.
- 5.Remove two screws **B** to remove the heat sink.

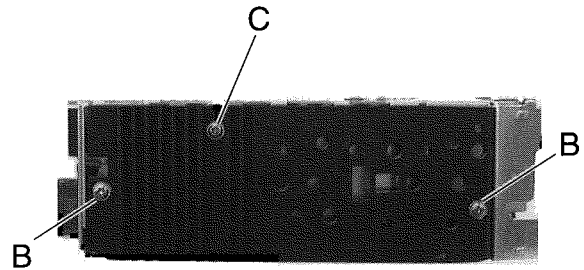


Fig 6

■ **Removing the rear bracket (See Fig. 7)**

- 1.Remove one screw **I** to remove the IC bracket.
- 2.Remove one screw **F** to remove the line-out jack.
- 3.Remove one screw **G** to remove the antenna jack.
- 4.Remove one screw **H** to remove the connector.

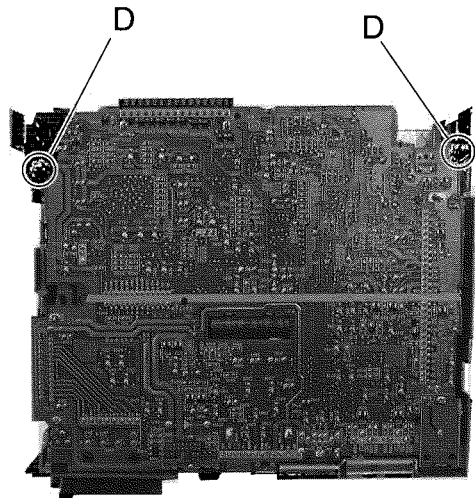


Fig 7-1

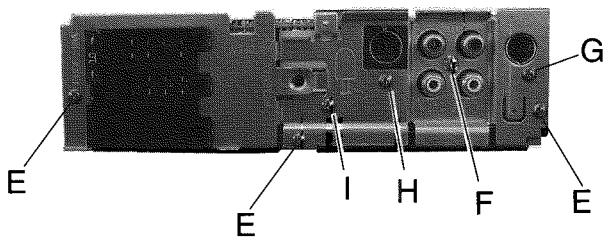


Fig 7-2

■ **CD mechanism assembly (See Fig. 8)**

Remove three mechanism mounting screws **J** retaining the top cover.

■ **Front panel unit (See Fig.9)**

Remove five screws **K** retaining the rear cover.

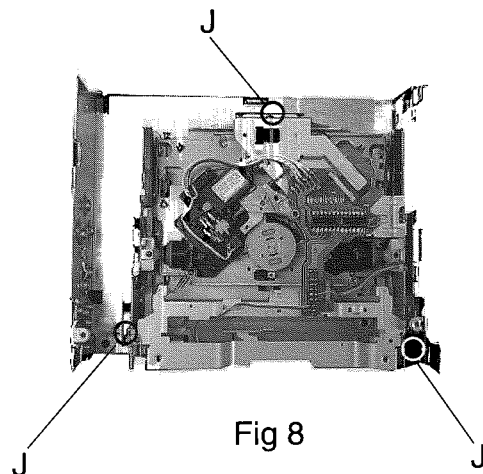


Fig 8

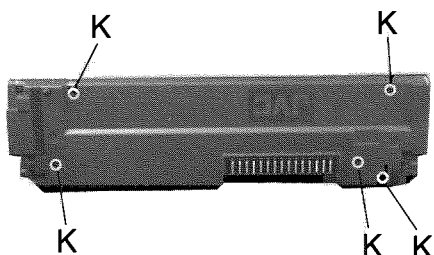


Fig 9

■ **Removing the CD mechanism control board (See Fig.1 and 2)**

Unsolder the part f and g on the CD mechanism control board.

Remove the stator fixing the CD mechanism control board and the damper bracket (To remove the stator smoothly, pick up the center part).

Remove the screw F attaching the CD mechanism control board.

Remove the CD mechanism control board in the direction of the arrow while releasing it from the two damper bracket slots i and the front bracket slot j.

Disconnect the flexible wire from connector on the pickup unit.

ATTENTION: Turn the FD gear in the direction of the arrow to move the entire pickup unit to the appropriate position where the flexible wire of the CD mechanism unit can be disconnected easily (Refer to Fig.2).

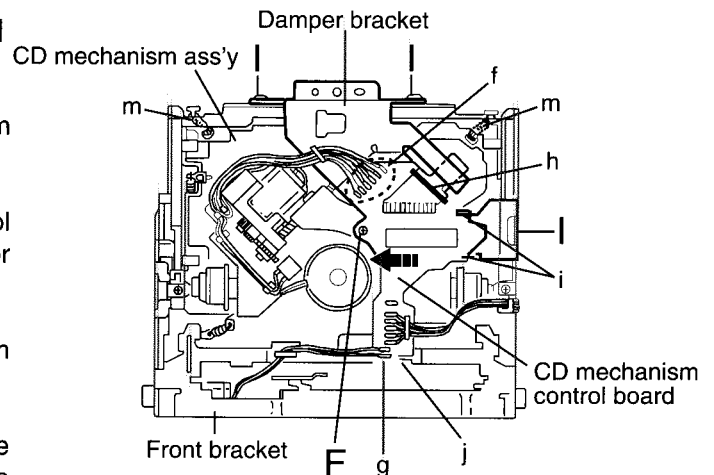


Fig.1

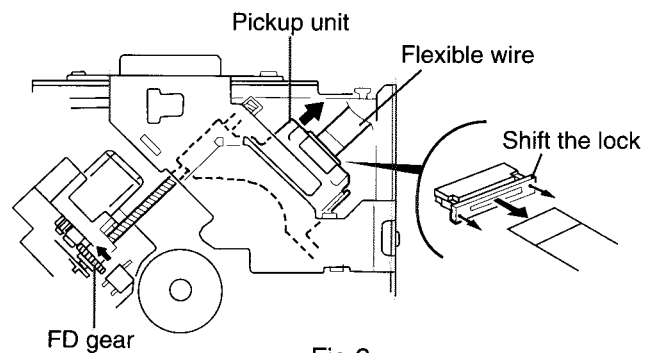


Fig.2

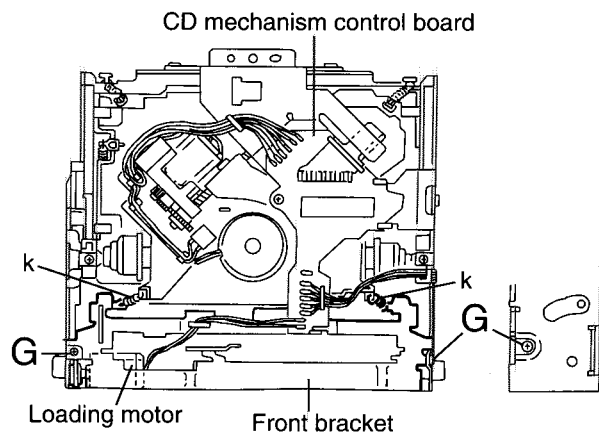


Fig.3

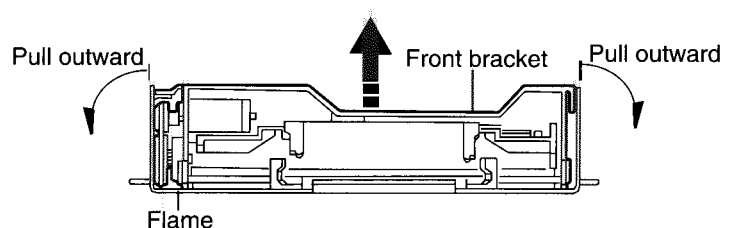


Fig.4

■ **Removing the loading motor**

(See Fig.3 to 5)

* Prior to performing the following procedure, remove the CD mechanism control board.

1. Remove the two springs k attaching the CD mechanism ass'y and the front bracket.
2. Remove the two screws G and the front bracket while pulling the flame outward.
3. Remove the belt and the screw H from the loading motor.

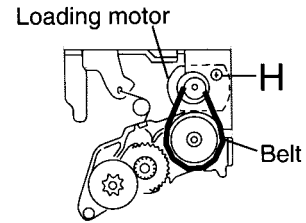


Fig.5

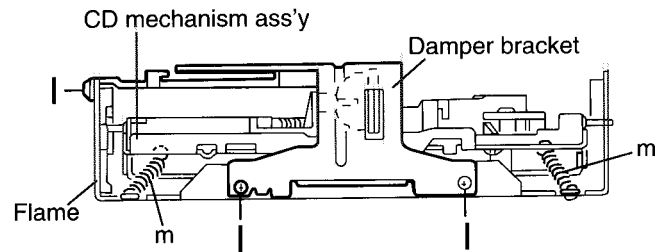


Fig.6

■ **Removing the CD mechanism ass'y**

(See Fig.1, 6 to 9)

* Prior to performing the following procedure, remove the CD mechanism control PWB and the front bracket (loading motor).

1. Remove the three screws I and the damper bracket.
2. Raise the both sides fix arms and move the fix plates in the direction of the arrow to place the four shafts I as shown in Fig.8 and 9.
3. Remove the CD mechanism ass'y and the two springs m attaching the flame.
4. Remove the two screws J and both sides rear damper brackets from the dampers. Detach the CD mechanism ass'y from the left side to the right side.

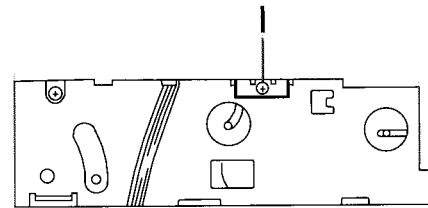


Fig.7

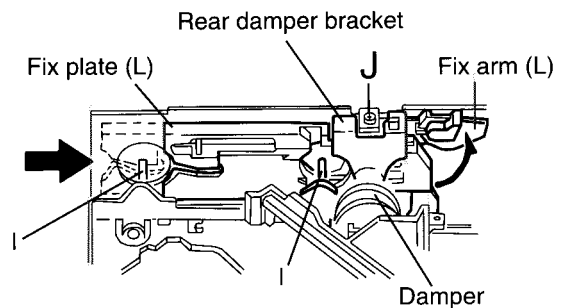


Fig.8

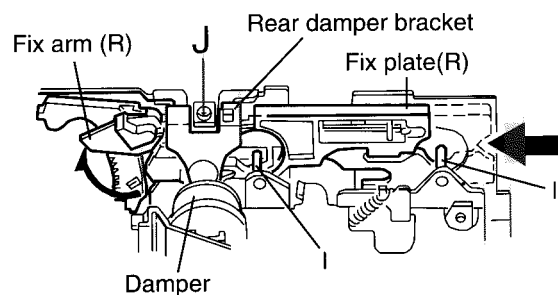


Fig.9

ATTENTION: The CD mechanism ass'y can be removed if only the rear damper bracket on the left side is removed.

■ Removing the feed motor ass'y
 (See Fig.10)

* Prior to performing the following procedure, remove the CD mechanism control board, the front bracket (loading motor) and the CD mechanism ass'y.

1. Remove the two screws K and the feed motor ass'y.

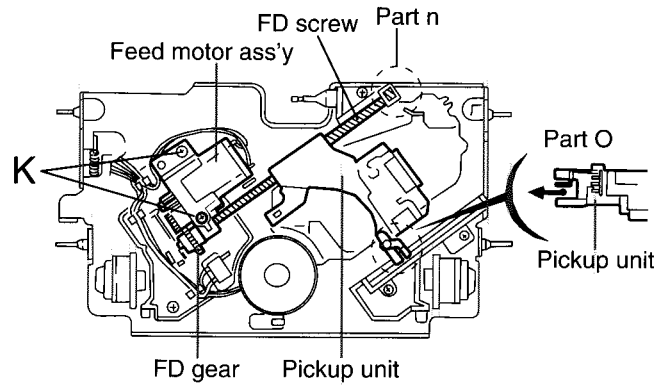


Fig.10

■ Removing the pickup unit
 (See Fig.10 and 11)

* *Prior to performing the following procedure, remove the CD mechanism control board, the front bracket (loading motor), the CD mechanism ass'y and the feed motor ass'y.

1. Detach the FD gear part of the pickup unit upward. Then remove the pickup unit while pulling out the part n of the FD screw.

ATTENTION: When reattaching the pickup unit, reattach the part o of the pickup unit, then the part n of the FD screw.

2. Remove the screw L attaching the nut push spring plate and the pickup mount nut from the pickup unit. Pull out the FD screw.

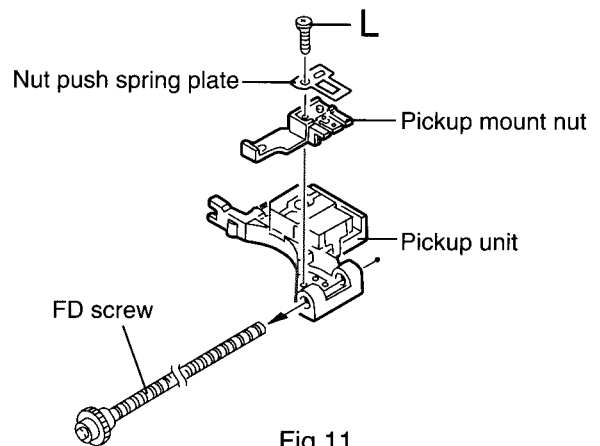


Fig.11

■ Removing the spindle motor
 (See Fig.12 and 13)

* Prior to performing the following procedure, remove the CD mechanism control board, the front bracket (loading motor), the CD mechanism ass'y and the feed motor ass'y.

1. Turn up the CD mechanism ass'y and remove the two springs p on both sides of the clamber arms. Open the clamber arm upward.
2. Turn the turn table, and remove the two screws M and the spindle motor.

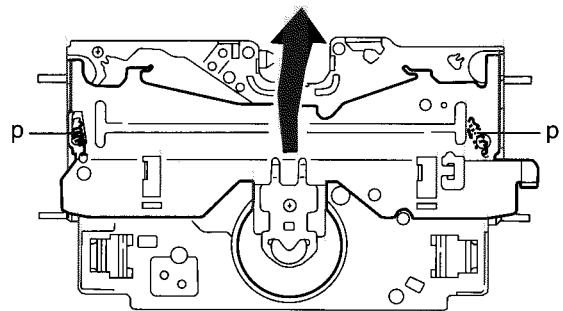


Fig.12

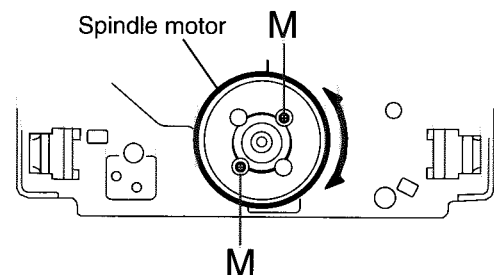


Fig.13

Adjustment method

■ Test instruments required for adjustment

1. Digital oscilloscope (100MHz)
2. AM Standard signal generator
3. FM Standard signal generator
4. Stereo modulator
5. Electric voltmeter
6. Digital tester
7. Tracking offset meter
8. Test Disc JVC :CTS-1000
9. Extension cable for check
EXTGS004-26P×1

■ Standard volume position

Balance and Bass & Treble volume : Indication "0"

Loudness : OFF

BBE : OFF

Frequency Band

■ FM 87.5MHz ~ 108.0MHz

MW 522kHz ~ 1620 kHz

LW 144kHz ~ 279kHz

■ Dummy load

Exclusive dummy load should be used for AM, and FM. For FM dummy load, there is a loss of 6dB between SSG output and antenna input. The loss of 6dB need not be considered since direct reading of figures are applied in this working standard.

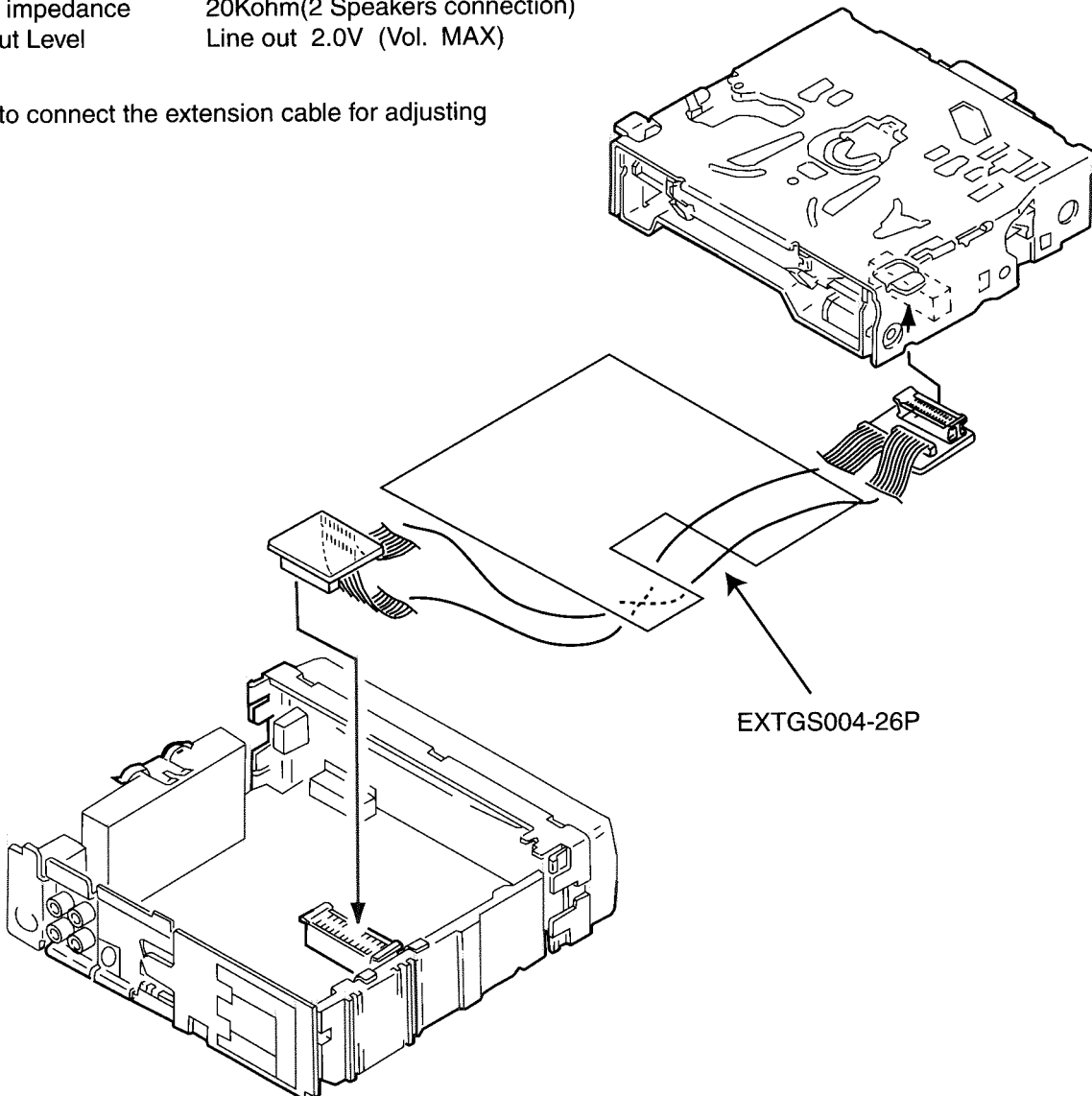
■ Standard measuring conditions

Power supply voltage DC14.4V(10.5~16V)

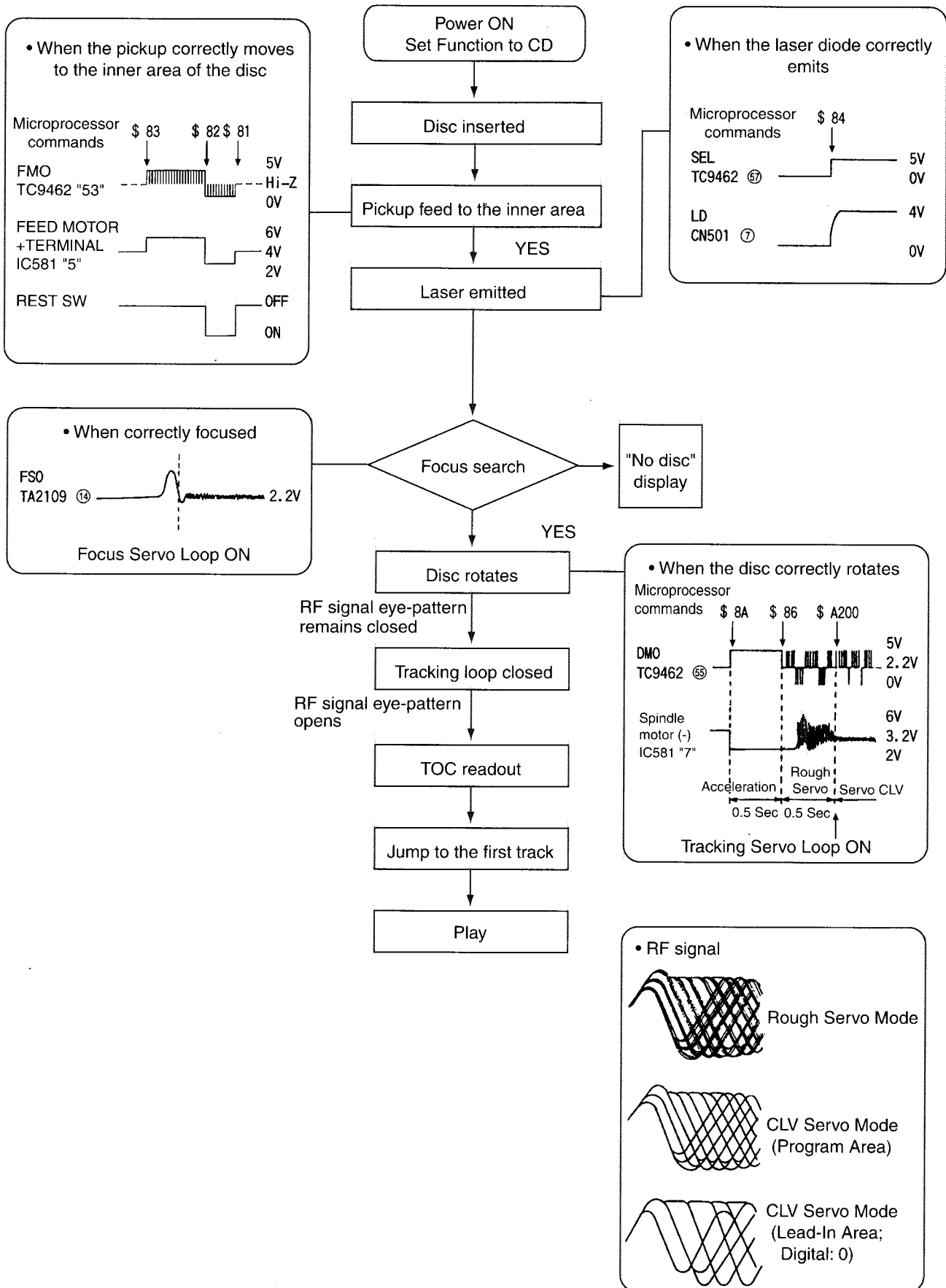
Load impedance 20Kohm(2 Speakers connection)

Output Level Line out 2.0V (Vol. MAX)

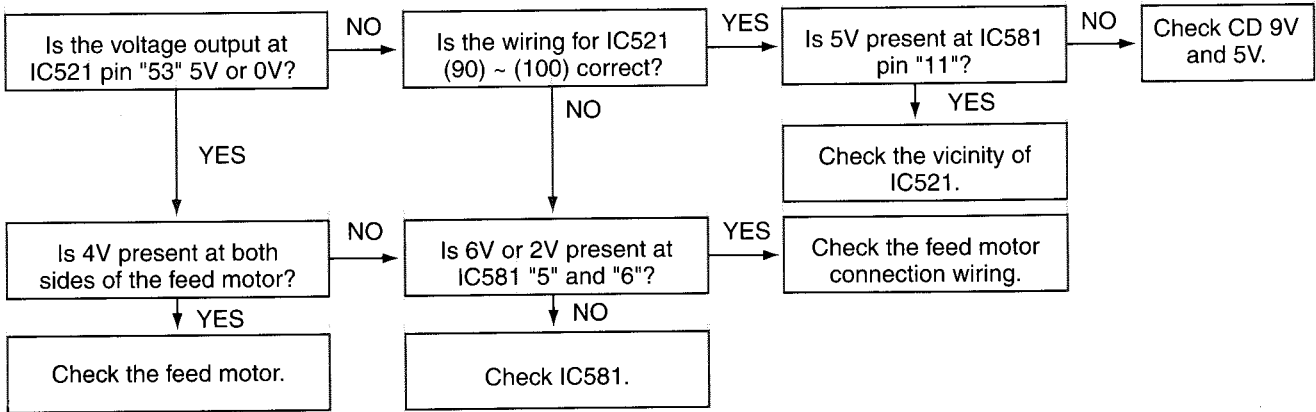
■ How to connect the extension cable for adjusting



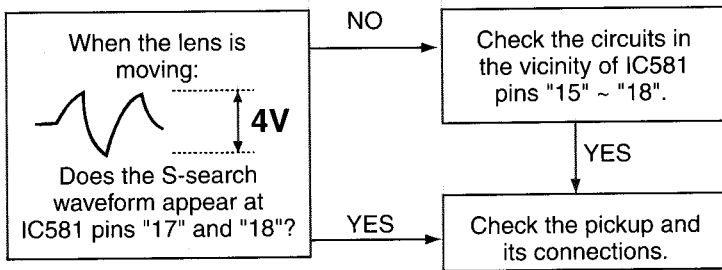
Flow of functional operation until TOC read



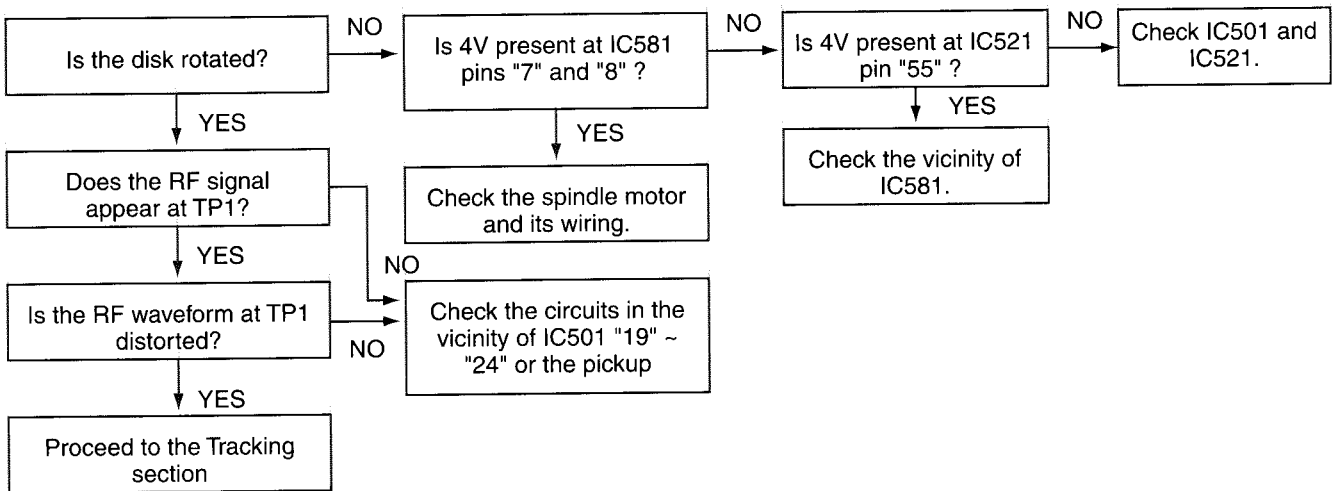
■ **Feed Section**



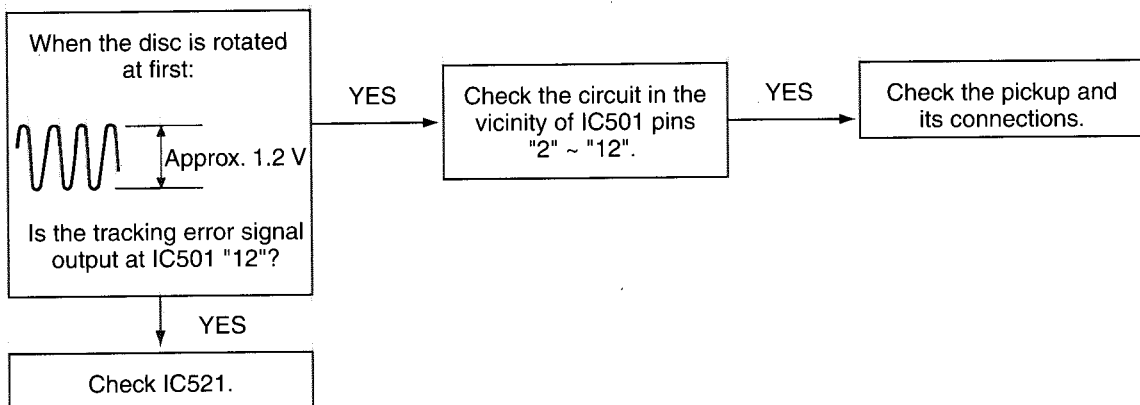
■ **Focus Section**



■ **Spindle Section**

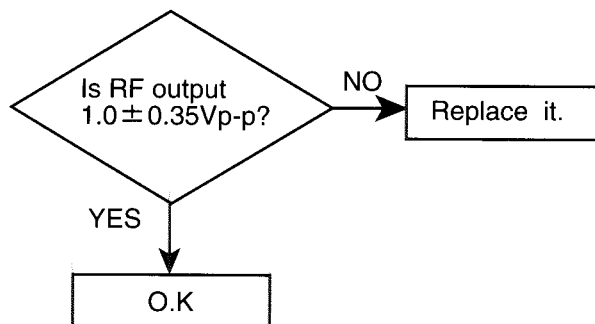


■ **Tracking Section**



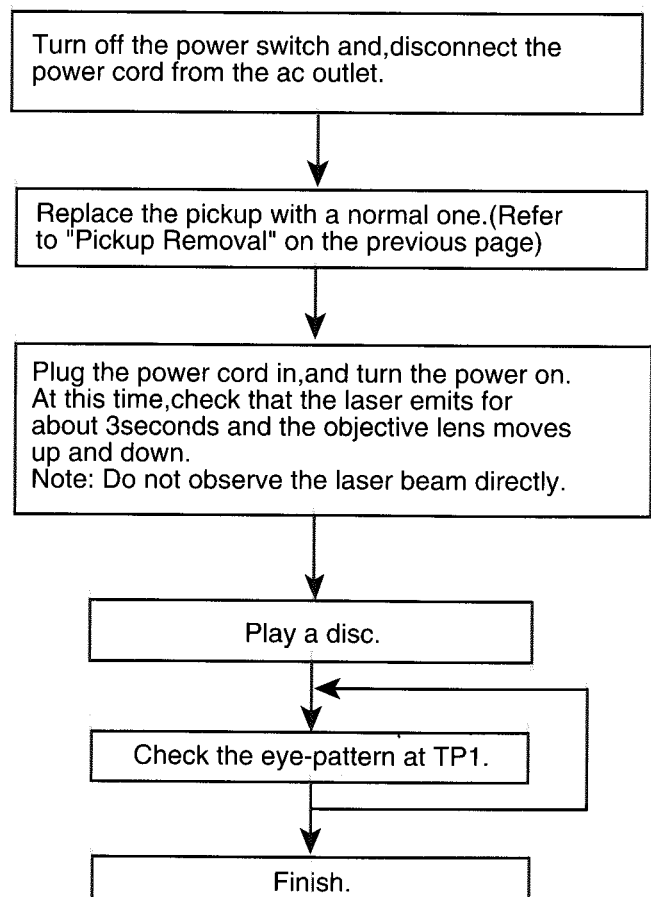
Maintenance of laser pickup

- (1) Cleaning the pick up lens
 Before you replace the pick up, please try to clean the lens with a alcohol soaked cotton swab.
- (2) Life of the laser diode
 When the life of the laser diode has expired, the following symptoms will appear.
 - (1) The level of RF output (EFM output:amplitude of eye pattern) will be low.



- (3) Semi-fixed resistor on the APC PC board
 The semi-fixed resistor on the APC printed circuit board which is attached to the pickup is used to adjust the laser power. Since this adjustment should be performed to match the characteristics of the whole optical block, do not touch the semi-fixed resistor.
 If the laser power is lower than the specified value, the laser diode is almost worn out, and the laser pickup should be replaced.
 If the semi-fixed resistor is adjusted while the pickup is functioning normally, the laser pickup may be damaged due to excessive current.

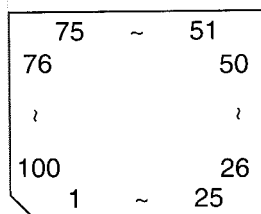
Replacement of laser pickup



Description of major ICs

■ UPD784215GC-158 (IC701) : CPU

1. Terminal Layout



2. Pin Function (1/2)

Pin No.	Symbol	I/O	Function
1	SW2	I	Detection switch of CD mechanism
2	SW3	I	Detection switch of CD mechanism
3	SW4	I	Detection switch of CD mechanism
4	REST	I	Reset signal input from CD mechanism
5	LM0	O	Loading motor control signal output
6	LM1	O	Loading motor control signal output
7	NC	-	Non connect
8	NC	-	Non connect
9	VDD	-	Power supply terminal
10	X2	-	Connecting the crystal oscillator for system main clock
11	X1	-	Connecting the crystal oscillator for system main clock
12	VSS	-	Power supply terminal
13	XT2	-	Connecting the crystal oscillator for system sub clock
14	XT1	-	Connecting the crystal oscillator for system sub clock
15	RESET	I	System reset signal input
16	SW1	I	Detection switch of CD mechanism
17	BUSINT	I	Cut-in input for J-BUS signal
18	PS2	I	Power save 2, Working together back up by H input, to stop mode
19	CRUISE	I	Pulse signal input port for Cruise control
20	RDSSCK	I	Clock signal input for RDS
21	RDSDA	I	RDS data input
22	REMOCON	I	Remote control signal input
23	AVDD	-	Power supply terminal
24	AVREF0	-	Power supply terminal
25	VOL1	I	Input for rotation volume detection pulse judgment to relation V1
26	VOL2	I	Input for rotation volume detection pulse judgment to relation V2
27	KEY0	I	Key control signal input 0
28	KEY1	I	Key control signal input 1
29	KEY2	I	Key control signal input 2
30	LEVEL	I	Signal input port of level meter
31	SQ	I	Signal quality level input
32	SM	I	Signal meter level input
33	AVSS	-	Connect to GND
34	NC	-	Non connect
35	NC	-	Non connect
36	AVREF	-	Power supply terminal

Pin Function (2/2)

Pin No.	Symbol	I/O	Function
37	BUSSI	I	J-BUS data input
38	BUSSO	O	J-BUS data output
39	BUSSCK	I/O	J-BUS Clock signal I/O
40	BUSI/O	O	I/O selector output for J-BUS, H:OUT L:IN
41	LCDDA	O	Data output to LCD driver
42	LCDSCK	O	Clock output to LCD driver
43	LCDCE	O	Chip enable output to LCD driver
44	BUZZER	O	BUZZER control signal output
45	EPROMDI	I	EPROM data input
46	EPROMDO	O	EPOM data output
47	EPROMCK	O	EPROM clock output
48	OPEN	I	Detect for front face open and shut input, H:OPEN L:SHUT
49-52	NC	O	Non connect
53	SD/ST	I	Station detector, Stereo signal input, H:Find Station L:Stereo
54	LOCAL	O	Local on off switching output
55	MONO	O	Monaural ON/OFF selecting output, H:MONO ON
56-60	NC	I	Non connect
61	DETACH	I	Input for detach signal, To action mode of L ,
62	AFCK	O	Non connect
63	SEEK/STOP	O	Auto seek/stop selecting output, H:Seek L:Stop
64	NC	-	Non connect
65	FM/AM	O	Selecting output for FM/AM, L:FM H:AM
66	PLLCE	O	CE output for IC control for PLL
67	PLLDA	O	Data output for IC control for PLL
68	PLLCK	O	Clock output for IC control for PLL
69	PLLDI	I	Data input from IC21
70	TELMUTE	O	Telephone mute signal detection output
71	NC	O	Non connect
72	VSS		Connect to GND
73	DIMIN	I	DIMMER signal input port
74	PS1	I	Power supply terminal
75	POWER	O	Selecting output for power ON/OFF, H:power ON
76	CDON	O	Power supply control signal for CD H:CD
77	MUTE	O	MUTE output, L:MUTE ON
78	NC	O	Sub woofer cut off frequency output 1
79	NC	O	Sub woofer cut off frequency output 2
80	NC	O	MUTE output for Sub woofer
81	VDD		Power supply terminal
82	NC	O	Non connect
83	VOLDA	O	Data output for IC control for electronic volume
84	VOLCL	O	Clock output for IC control for electronic volume
85	DIMMER	O	Dimmer signal output
86-89	NC	O	Non connect
90	STAGE	I	Pull up
91	BUCK	O	Micon interface clock output terminal
92	CCE	O	Command and data sending/receiving chip enable signal output
93	RST	O	Reset signal output terminal reset at "L" level
94	TEST	-	Connect to GND
95-98	BUS0~3	I/O	Micon interface data input/output terminal
99	DISCSEL	O	Disc select signal output
100	J/E	I	Pull down

3.Pin function

LA6557-X(2/2)

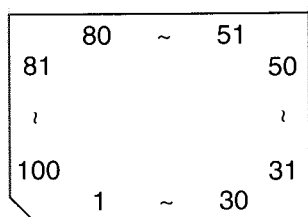
Pin NO.	Symbol	Function
1	VCC2	Power for channels 3,4, and 5 (VCC1 and VCC-S short-circuited)
2	V05-	Loading output (-)
3	V05+	Loading output (+)
4	V04+	Output pin (+) for channel 4
5	V04-	Output pin (-) for channel 4
6	V03+	Output pin (+) for channel 3
7	V03-	Output pin (-) for channel 3
8	V02+	Output pin (+) for channel 2
9	V02-	Output pin (-) for channel 2
10	V01+	Output pin (+) for channel 1
11	V01-	Output pin(-) for channel 1
12	VCC1	Power for channels 1 and 2 (BTL), (VCC-S and VCC2 short-circuited)
13	VIN1+	Input pin for channel 1
14	VIN1-	Input pin for channel 1 (for gain control)
15	VIN2+	Input pin for channel 2
16	VIN2-	Input pin for channel 2 (for gain control)
17	VIN3+	Input pin for channel 3
18	VIN3-	Input pin for channel 3 (for gain control)
19	REG-IN	Regulator pin (External PNP base)
20	REG-OUT	Regulator pin (External PNP collector)
21	VREF-IN	Reference voltage input pin
22	VCC-S	Signal system power (VCC and VCC2 short-circuited)
23	VIN4-	Input pin for channel 4 (for gain control)
24	VIN4+	Input pin for channel 4
25	MUTE	Output ON/OFF, channels 1 to 4 (BTL AMP)
26	S-GND	Signal system GND
27	FWD	5CH(VL0) Output change pin (FWD), Logic input for loading block
28	REV	5CH(VL0) Output change pin (REV), Logic input for loading block

* The center frame (FR) functions as power system GND. Set this to the minimum potential together with S-GND.

* Short-circuit three pins of power system, VCC-S, VCC1, and VCC2, externally before use.

■ TC9462F (IC541) : DSP & DAC

1.Pin Layout



2.Pin Function (1/2)

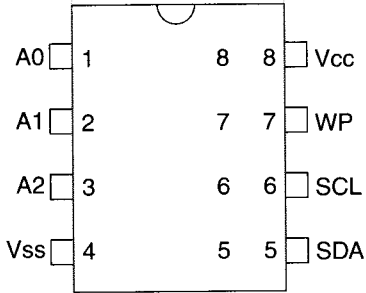
Pin No.	Symbol	I/O	Function
1	TEST0	I	Test mode terminal. Normally, keep at open
2	HSO	O	Playback speed mode flag output terminal
3	UHSO	O	Playback speed mode flag output terminal
4	EMPH	O	Sub code Q data emphasis flag output terminal. "H"=ON "L"=OFF
5	LRCK	O	Channel clock output terminal.(44.1kHz) "H"=Rch "L"=Lch
6	Vss	-	Digital GND terminal
7	BCK	O	Bit clock output terminal. (1.4122MHz)
8	AOUT	O	Audio data output terminal
9	DOUT	O	Digital data output terminal
10	MBOV	O	Buffer memory over signal output terminal.
11	IPF	O	Correction flag output terminal
12	SBOK	O	Sub code Q data CRCC check adjusting result output terminal. "H"=result OK
13	CLCK	I/O	Sub code P~W data readout input/output terminal
14	Vdd	-	Digital power supply voltage terminal
15	Vss	-	Digital GND terminal
16	DATA	O	Sub code P~W data output terminal
17	SFSY	O	Play-back frame sync signal output terminal
18	SBSY	O	Sub code block sync signal output terminal
19	SPCK	O	Processor status signal readout clock output terminal
20	SPDA	O	Processor status signal output terminal
21	COFS	O	Correction frame clock output terminal (7.35kHz)
22	MONIT	O	Internal signal (DSP internal flag and PLL clock) output terminal
23	Vdd	-	Digital power supply voltage terminal
24	TESIO0	I	Test input/output terminal. Normally, keep at "L" level
25	P2VREF	-	PLL double reference voltage supply terminal
26	HSSW	O	2/4 times speed at "Vref" voltage
27	ZDET	O	1bit DA converter zero detect flag output terminal
28	PDO	O	Phase difference signal output terminal of EFM signal and PLCK signal
29	TMAXS	O	TMAX detection result output terminal. Selected by command bit (TMPS)
30	TMAX	O	TMAX detection result output terminal. Selected by command bit (TMPS)
31	LPFN	I	LPF amplifier inverting input terminal for PLL
32	LPFO	O	LPF amplifier output terminal for PLL
33	PVREF	-	PLL reference voltage supply terminal
34	VCOREF	I	VCO center frequency reference level terminal
35	VCOF	O	VCO filter terminal
36	AVss	-	Analog GND terminal
37	SLCO	O	Data slice level output terminal
38	RFI	I	RF signal input terminal
39	AVDD	-	Analog power supply voltage terminal

2.Pin Function (2/2)

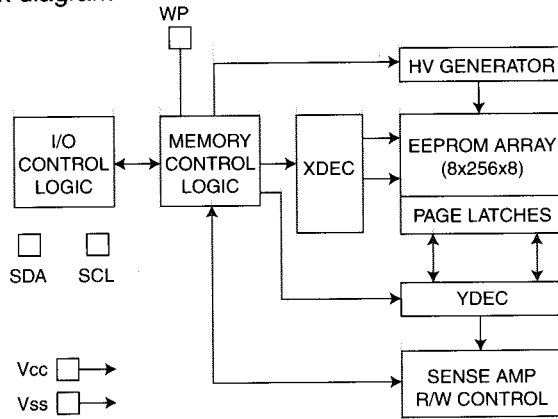
Pin No.	Symbol	I/O	Function
40	RFCT	I	RFRP signal center level input terminal
41	RFZI	I	RFRP zero cross input terminal
42	RFRP	I	RF ripple signal input terminal
43	FEI	I	Focus error signal input terminal
44	SBAD	I	Sub-beam adder signal input terminal
45	TSIN	I	Test input terminal Normally, keep at "vref" level
46	TEI	I	Tracking error signal input terminal. Take in at tracking servo ON.
47	TEZI	I	Tracking error zero cross input terminal
48	FOO	O	Focus servo equalizer output terminal
49	TRO	O	Tracking servo equalizer output terminal
50	VREF	-	Analog reference voltage supply terminal
51	RFGC	O	RF amplitude adjustment control signal output terminal
52	TEBC	O	Tracking balance control signal output terminal
53	FMO	O	Feed equalizer output terminal
54	FVO	O	Speed error signal or feed search equalizer output terminal
55	DMO	O	Disk equalizer output terminal (PWM carrier=88.2kHz for DSP, Synchronize to PXO)
56	2VREF	-	Analog double reference voltage supply terminal
57	SEL	O	APC circuit ON/OFF indication signal output terminal
58~61	FLGA~D	O	External flag output terminal for internal signal
62	VDD	-	Digital power supply voltage terminal
63	VSS	-	Digital GND terminal
64~67	IO0~3	I/O	General I/O terminal
68	DMOUT	I	This terminal control IO0~IO3 terminal
69	CKSE	I	Normally, keep at open
70	DACT	I	DAC test mode terminal. Normally, keep at open
71	TESIN	I	Test input terminal, Normally, keep at "L" level
72	TESIO1	I	Test input/output terminal. Normally, keep at "L" level
73	VSS	-	Digital GND terminal
74	PXI	I	Crystal oscillator connecting input terminal for DSP
75	PXO	O	Crystal oscillator connecting output terminal for DSP
76	VDD	-	Digital power supply voltage terminal
77	XVSS	-	Oscillator GND terminal for system clock
78	XI	I	Crystal oscillator connecting input terminal for system clock
79	XO	O	Crystal oscillator connecting output terminal for system clock
80	XVDD	-	Oscillator power supply voltage terminal for system clock
81	DVSR	-	Analog GND terminal for DA converter (Rch)
82	RO	O	R channel data forward output terminal
83	DVDD	-	Analog supply voltage terminal for DA converter
84	DVR	-	Reference voltage terminal for DA converter
85	LO	O	L channel data forward output terminal
86	DVSL	-	Analog GND terminal for DA converter (Lch)
87~89	TEST1~3	I	Test mode terminal . Normal keep at open
90~93	BUS0~3	I/O	Micon interface data input/output terminal
94	VDD	-	Digital power supply voltage terminal
95	VSS	-	Digital GND terminal
96	BUCK	I	Micon interface clock input terminal
97	CCE	I	Command and data sending/receiving chip enable signal input terminal
98	TEST4	I	Test mode terminal. Normal, keep at open
99	TSMOD	I	Local test mode selection terminal
100	RST	I	Reset signal input terminal. Reset at "L" level

■ **24LC16B-I/SN-X (IC771) : EEPROM**

1. Pin layout



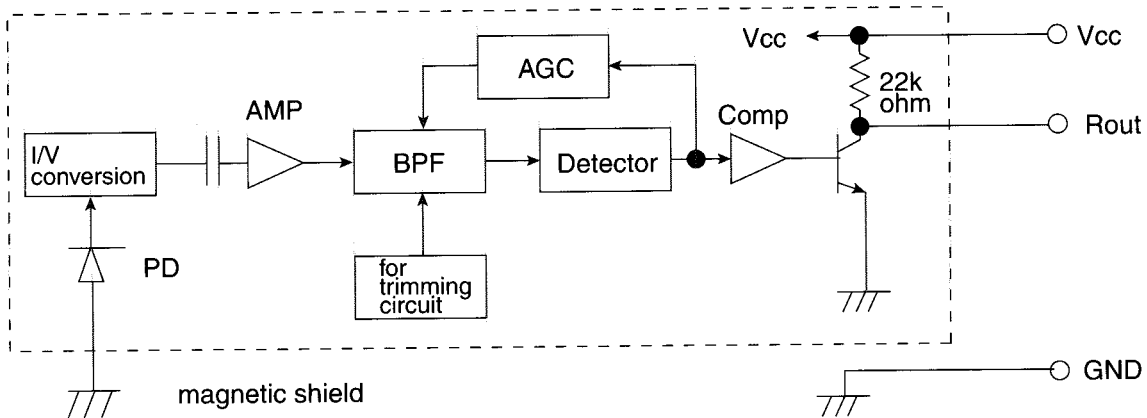
2. Block diagram



3. Pin function

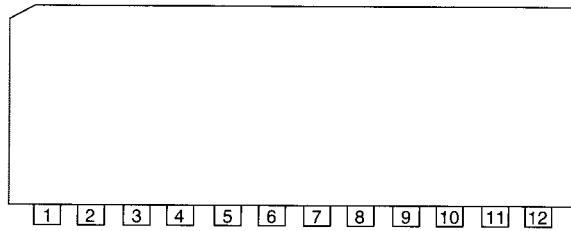
Symbol	Function
Vss	Ground
SDA	Serial address/data I/O
SCL	Serial clock
WP	Write protect input
Vcc	+2.5V to 5.5V power supply
AO,A1,A2	No internal connection

■ **RPM6938-SV4 (IC602) : Remote control receiver**

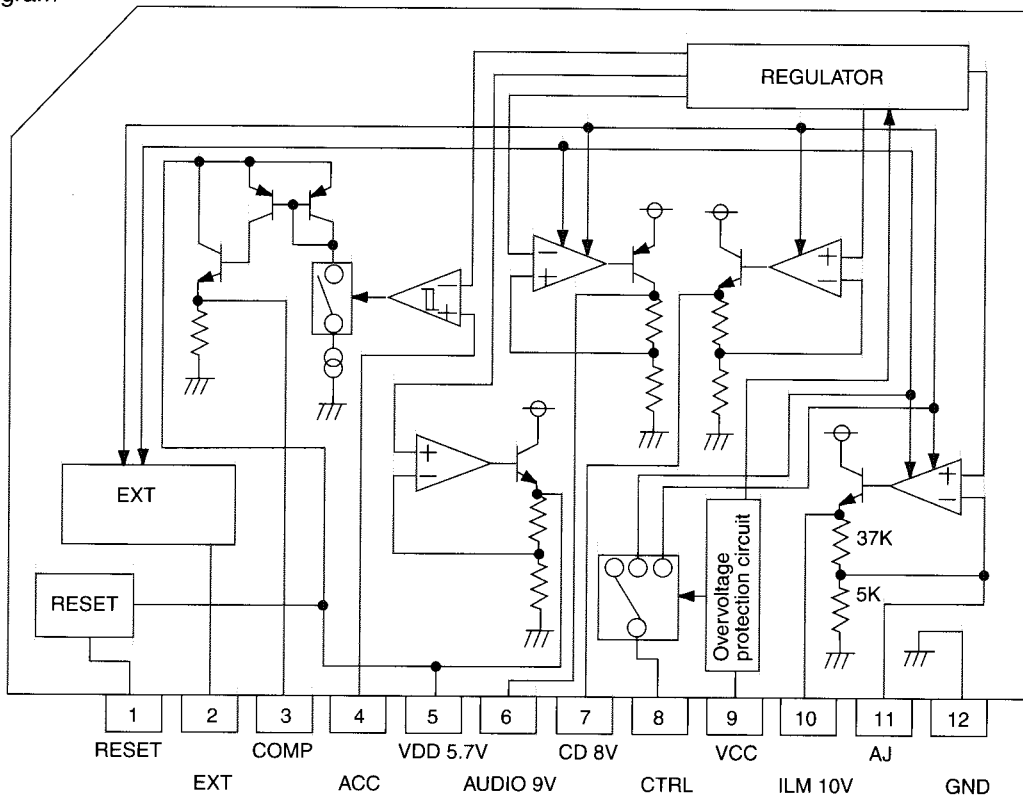


■ BA4905-V3 (IC901) : Regulator

1. Terminal layout



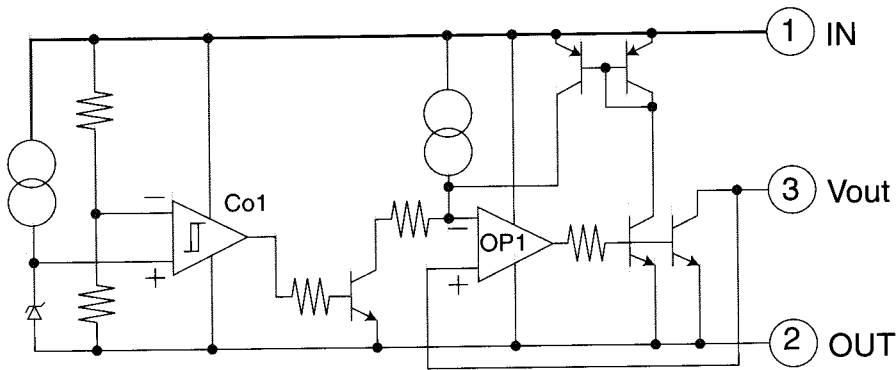
2. Block diagram



3. Pin function

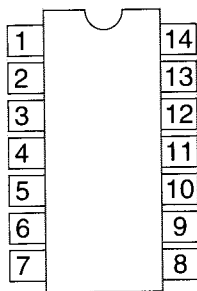
Pin no.	Symbol	Function
1	RESET	If VDD voltage becomes 4V or less. RESET output becomes low level.
2	EXT output	This output voltage is approximately 0.5V lower than VCC. and max output current is 300mA.
3	COMP output	A voltage supply for ACC block. This output voltage is approximately 0.7V lower than VDD'S. The max output current is 100mA.
4	ACC	Control of the COMP output by inputting voltage.
5	VDD output	This output voltage is 5.7V, and max output current is 100mA. This voltage supply is for microcomputer. Whenever back up voltage supply is connected, the output keeps on running.
6	AUDIO output	This output voltage is 9.0v, and max output current is 500mA. This voltage supply for AUDIO.
7	CD output	This output voltage is 8.0V, and max output current is 1A. This voltage supply for CD.
8	CTRL	Output selector of CD. AUDIO, ILM and EXT.
9	VCC	To be connected with the BACK UP of car.
10	ILM output	This output voltage is 10V, and max output current is 500mA. Output voltage is adjustable.
11	AJ	Putting a resistance between ILM and AJ or between AJ and GND makes ILM output voltage adjustable.
12	GND	Ground.

■ IC-PST600M/G/-W (IC702) : System reset



■ HD74HC126FP-X (IC801) : Buffer

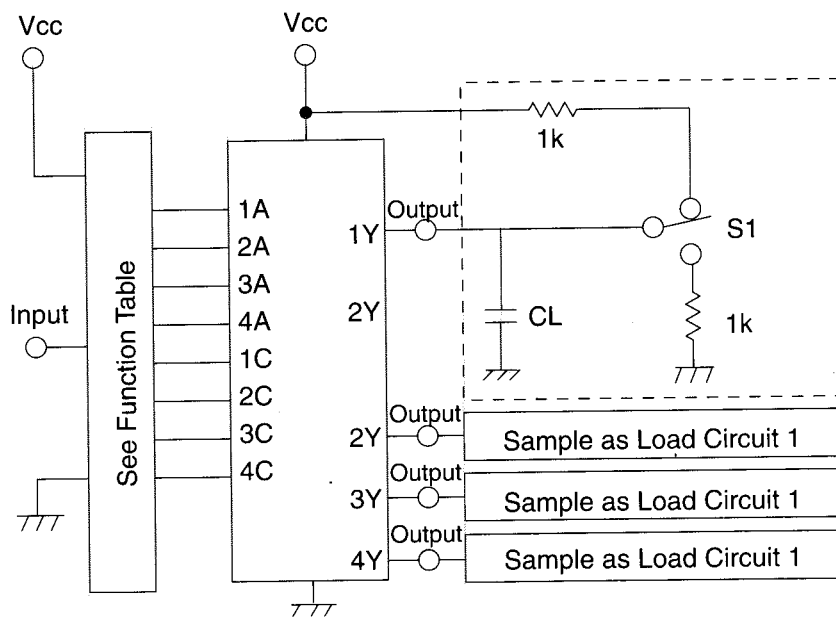
1. Pin layout



2. Function

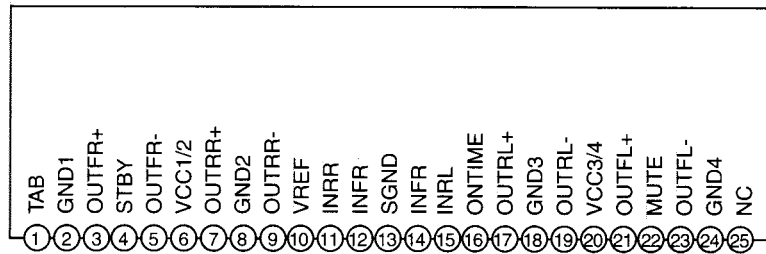
Inputs		Outputs
C	A	Y
L	X	Z
H	L	H
H	H	L

3. Block diagram

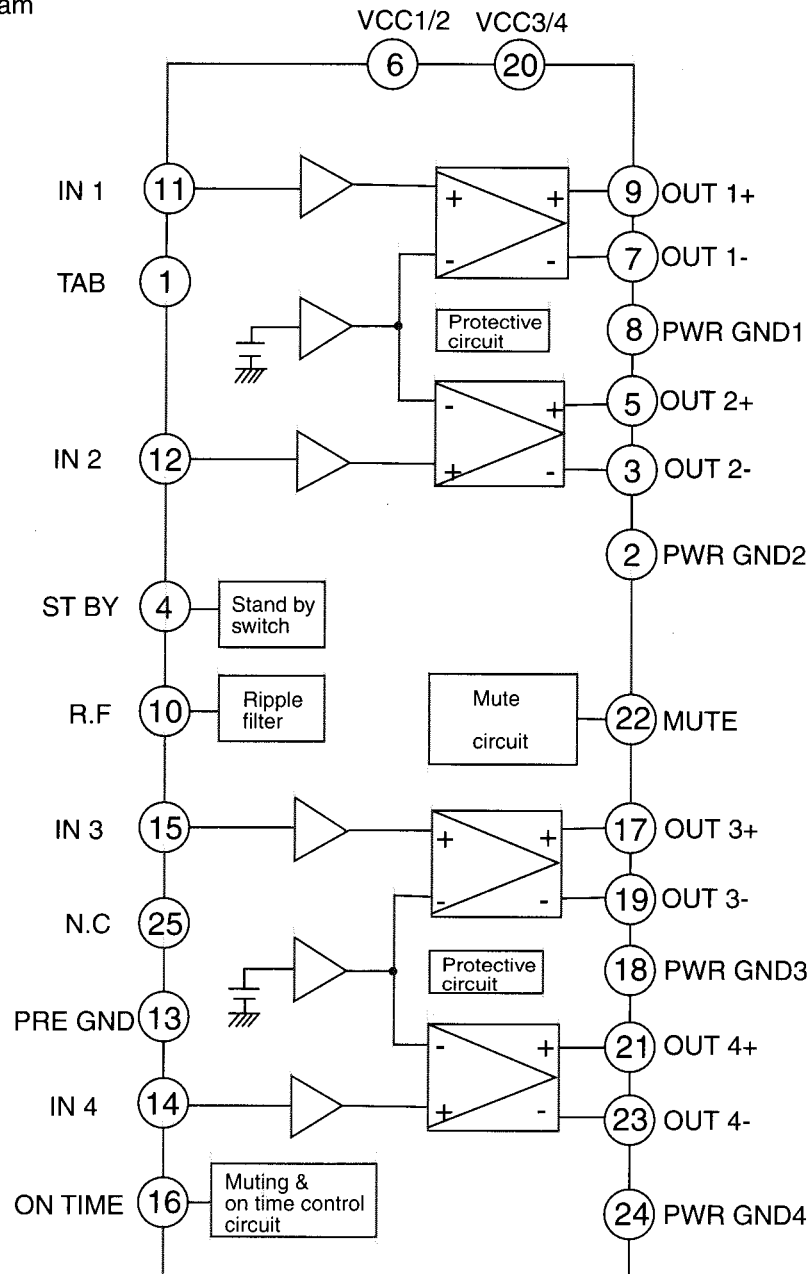


■ LA4743B (IC301) :Power amp

1. Terminal layout

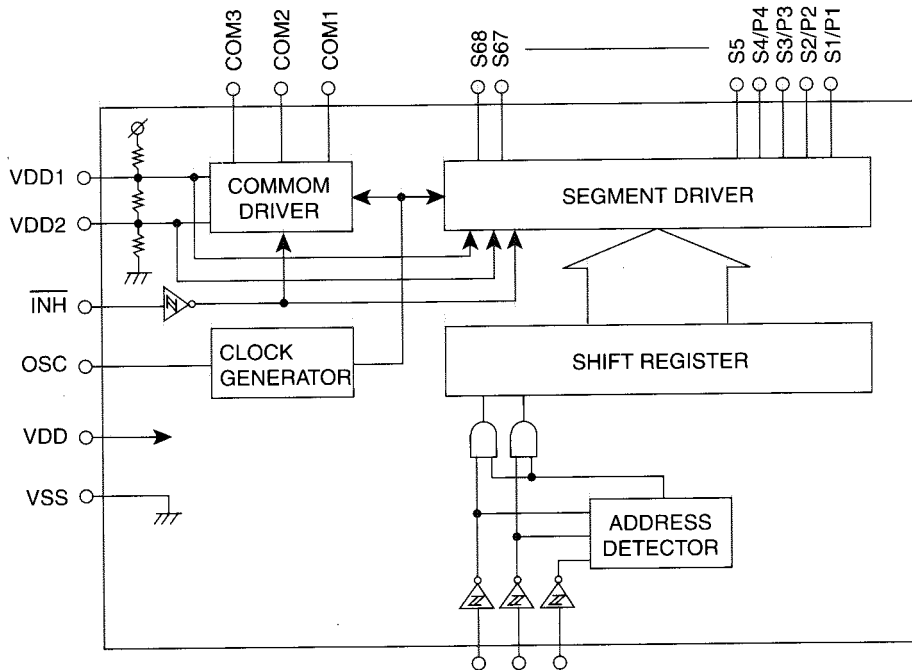


2. Block diagram



■ LC75873NW (IC601) : LCD driver

1. Block Diagram

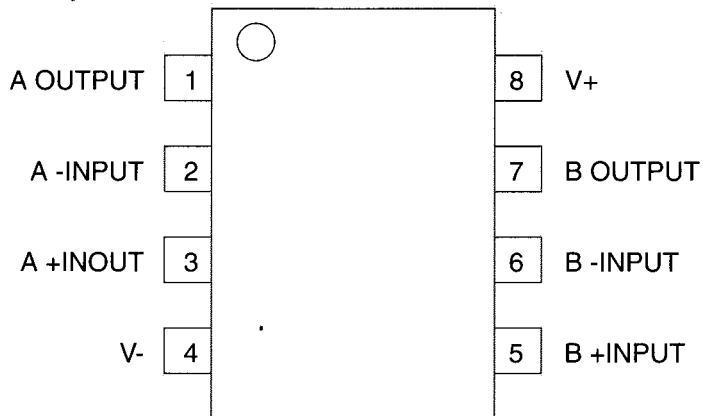


2. Pin Functions

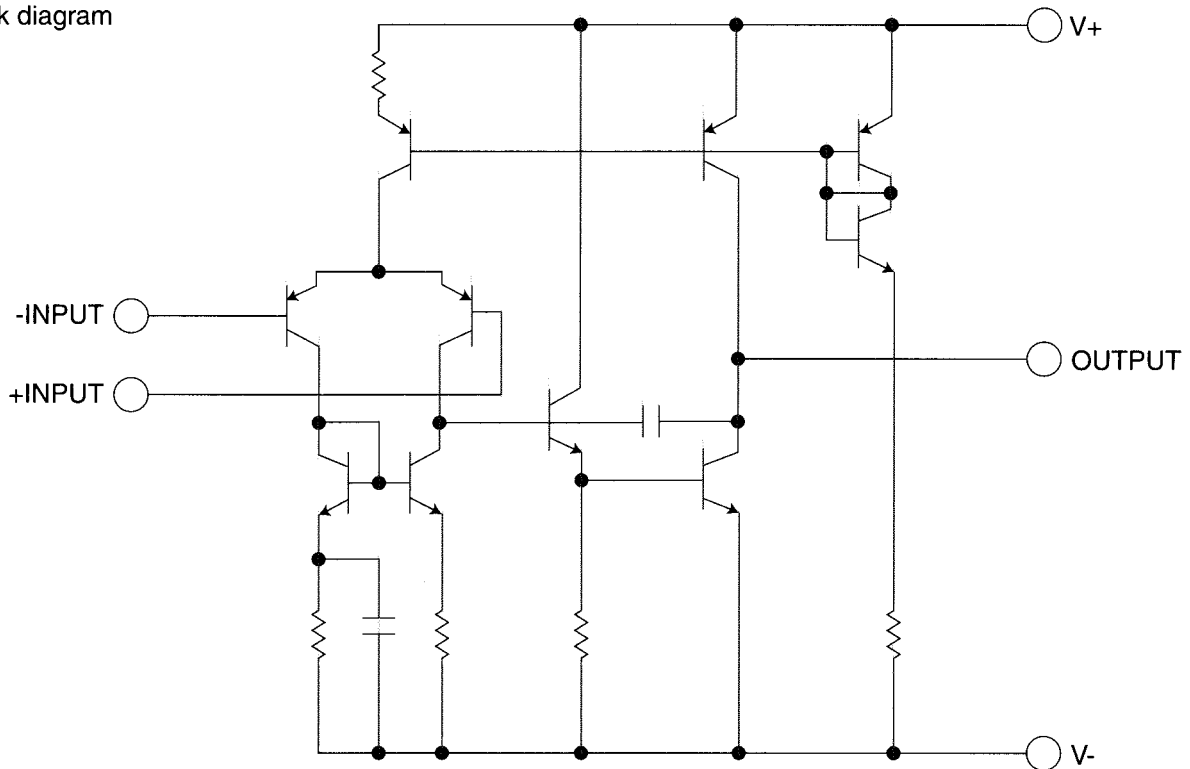
Pin No.	Symbol	I/O	Description
1~66	S3~S68	O	Segment Output.
67~69	COM1~3	O	Common Driver Output.
70	VDD	-	Power Supply Connection.
71	VDD1	I	Used for applying the LCD drive 2/3 bias voltage externally. Must be connected to VDD2 when a 1/2 bias drive scheme is used.
72	VDD2	I	Used for applying the LCD drive 1/3 bias voltage externally. Must be connected to VDD1 when a 1/2 bias drive scheme is used.
73	VSS	-	Power supply connection.
74	OSC	I/O	Oscillator connection. An oscillator circuit is formed by connecting an external resistor and capacitor to this pin.
75	INH	I	Display off control input.
76	$\overline{\text{CE}}$	I	Chip enable input.
77	CLOCK	I	Synchronization clock input.
78	DI	I	Serial data input.
79	S1	O	Signal output.
80	S2	O	Signal output.

■ NJM2100M-WE (IC861) : Cruise

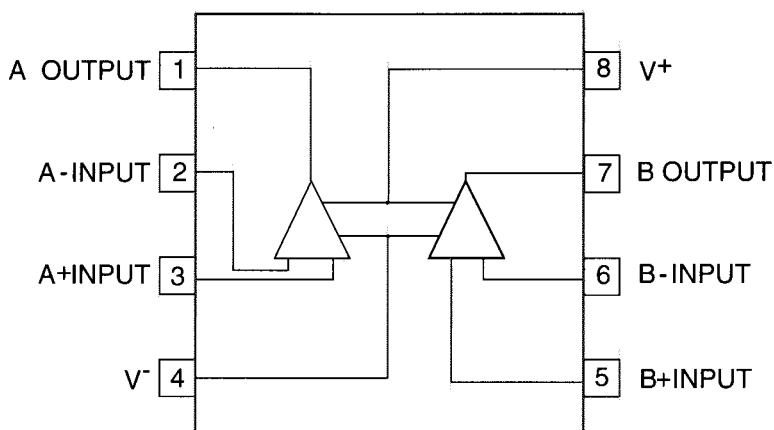
1. Pin layout



2. Block diagram

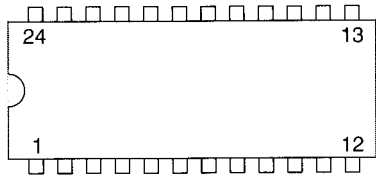


■ NJM4565M-WE (IC581) : Ope. amp

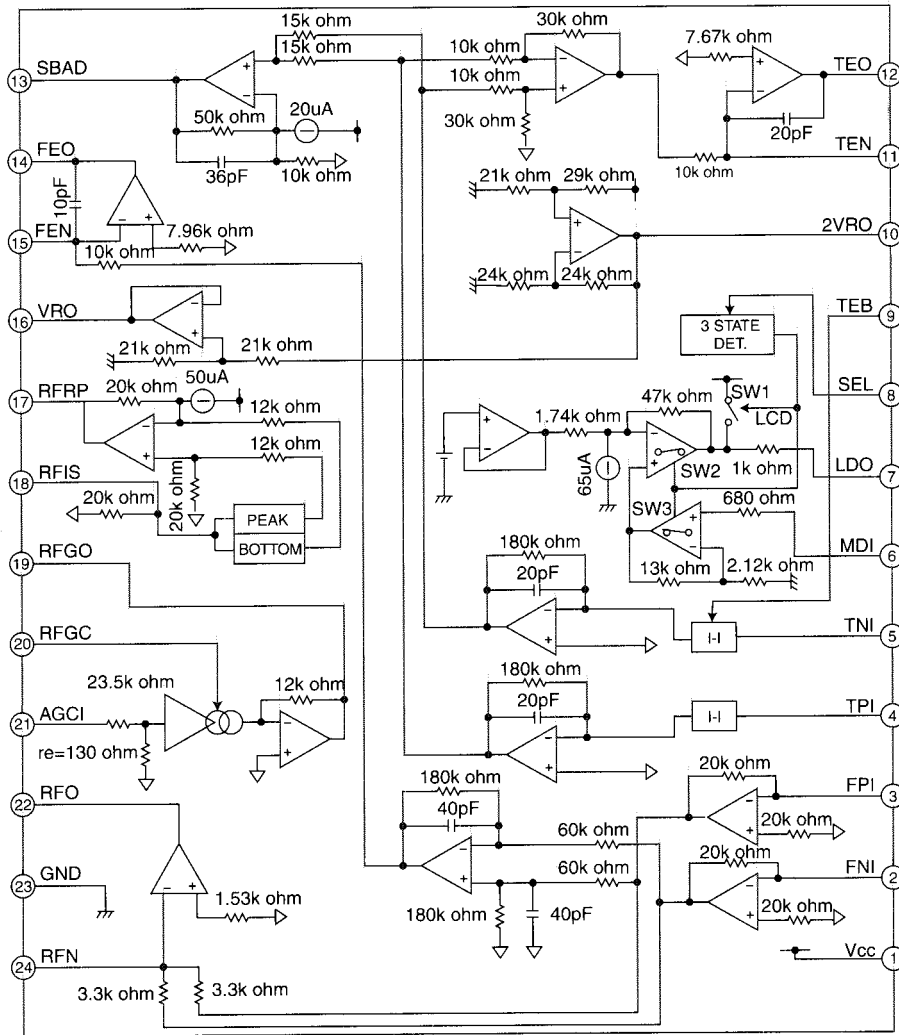


■ TA2109F-X (IC521) : RF amp.

1. Pin layout



2. Block diagram

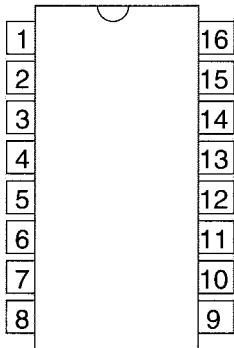


3. Pin function

Pin No.	Symbol	I/O	Pin function	Pin No.	Symbol	I/O	Pin function
1	Vcc	-	Power supply input terminal	13	SBAD	O	Sub beam adder signal output terminal
2	FNI	I	Main beam I-V amp input terminal	14	FEO	O	Focus error signal output terminal
3	FPI	I	Main beam I-V amp input terminal	15	FEN	I	FE amp negative input terminal
4	TPI	I	Sub beam I-v input terminal	16	VRO	O	Reference voltage (VREF) output terminal
5	TNI	I	Sub beam I-V input terminal	17	RFRP	O	Track count signal output terminal
6	MDI	I	Monitor photo diode amp input terminal	18	RFIS	I	RFRP detect circuit input terminal
7	LDO	O	Laser diode amp output terminal	19	RFGO	O	RF gain signal output terminal
8	SEL	I	Laser diode control signal input terminal	20	RFGC	I	RF amplitude adj. control signal input terminal
9	TEB	I	T. error balance adj. signal input terminal	21	AGCI	I	RF signal amplitude adj. amp input terminal
10	2VRO	O	Reference voltage output terminal	22	RFO	O	RF signal output terminal
11	TEN	I	TE amp negative input terminal	23	GND	-	Ground terminal
12	TEO	O	TE error signal output terminal	24	RFN	I	RF amp negative input terminal

■ SAA6579T-X (IC71) : RDS demodulator

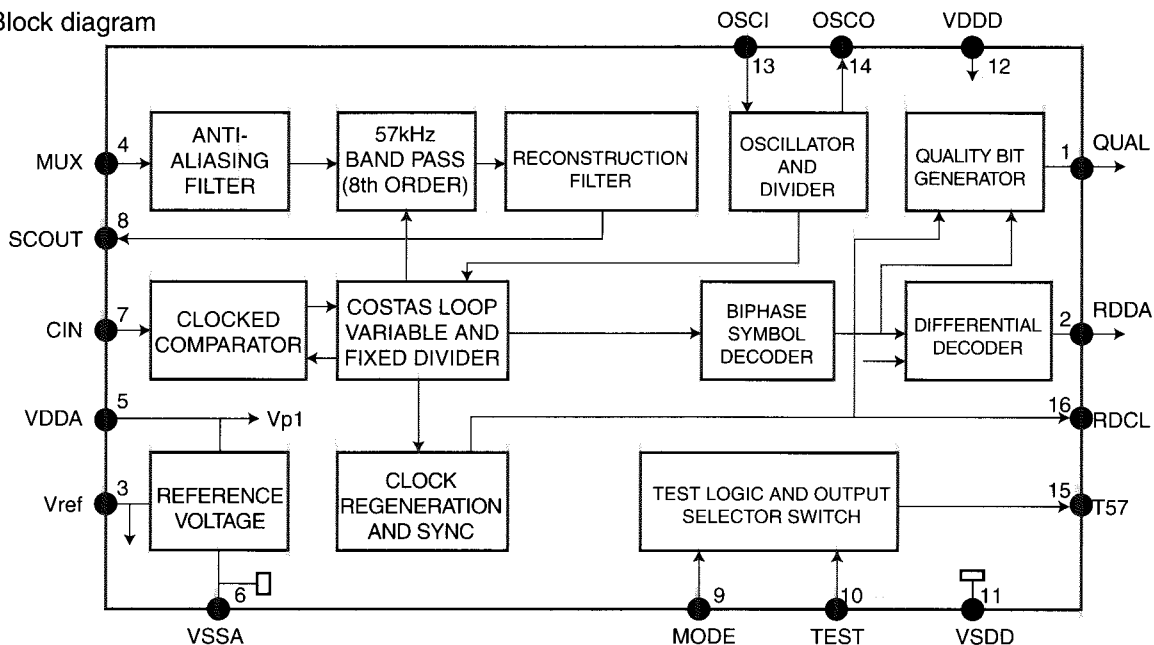
1. Pin layout



2. Pin function

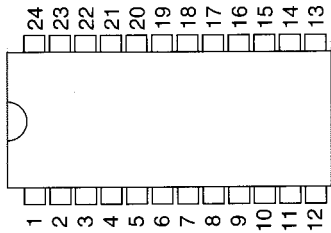
Pin No.	Symbol	Function
1	QUAL	Quality indication output
2	RDDA	RDS data output
3	Vref	Reference voltage output (0.5VDDA)
4	MUX	Multiplex signal input
5	VDDA	+5V supply voltage for analog part
6	VSSA	Ground for analog part (0V)
7	CIN	Subcarrier input to comparator
8	SCOUT	Subcarrier output of reconstruction filter
9	MODE	Oscillator mode / test control input
10	TEST	Test enable input
11	VSSD	Ground for digital part (0V)
12	VDDD	+5V supply voltage for digital part
13	OSCI	Oscillator input
14	OSCO	Oscillator output
15	T57	57kHz clock signal output
16	RDCL	RDS clock output

3. Block diagram

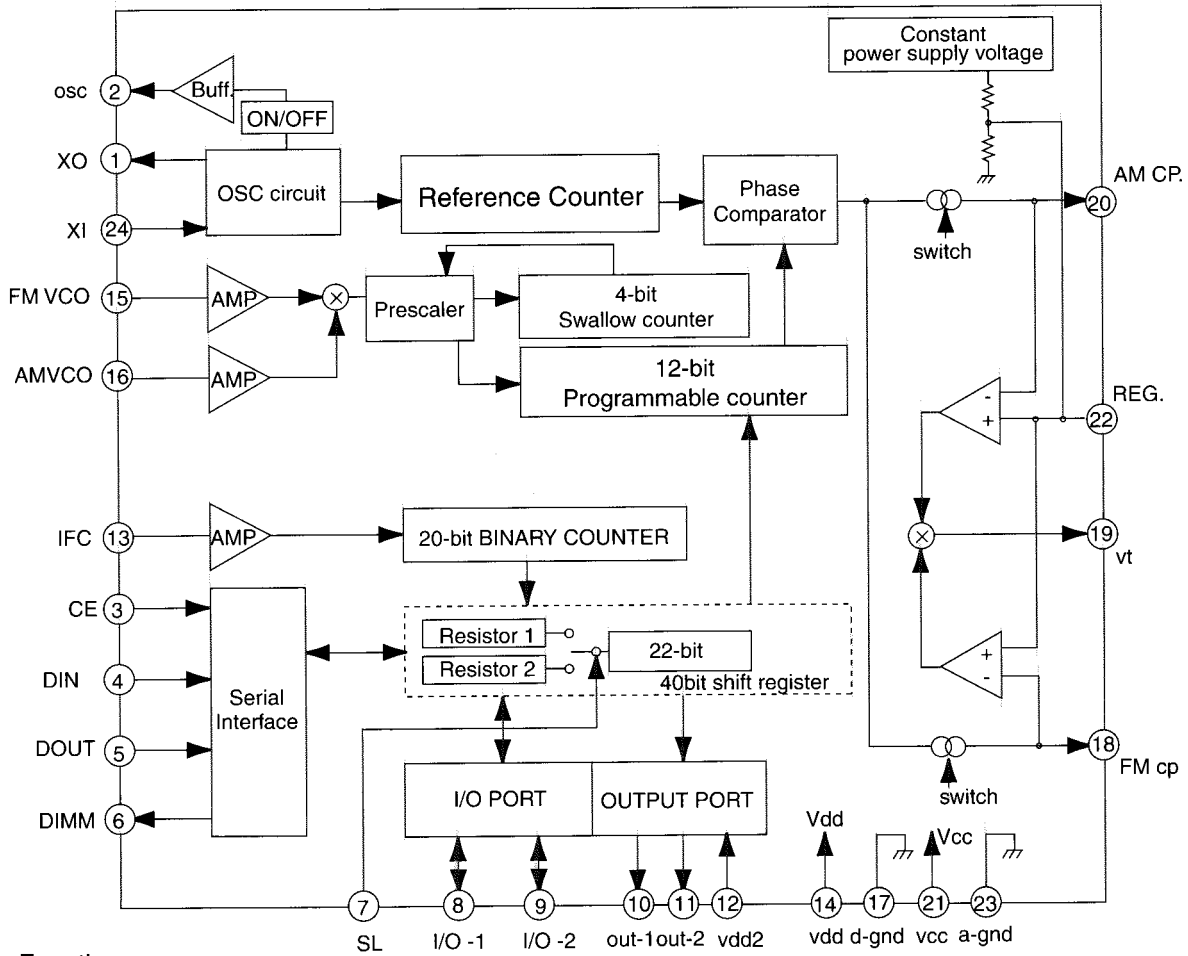


■TB2118F-X (IC31) : PLL

1. Terminal Layout



2. Block diagram



3. Pin Function

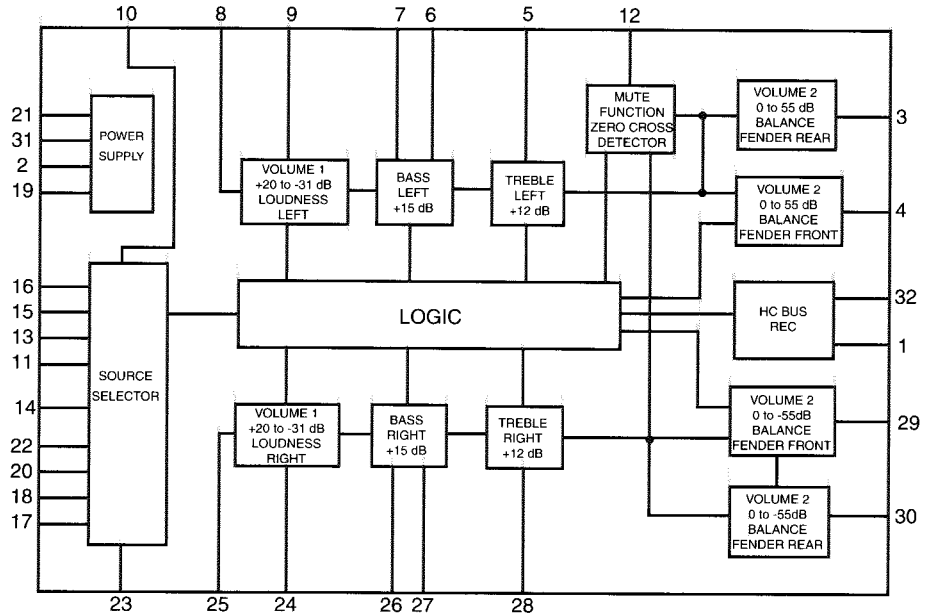
Pin No.	Symbol	I/O	Function	Pin No.	Symbol	I/O	Function
1	XOUT	O	Crystal oscillator pin	13	IFC	I	IF signal input
2	OSC	-	Non connect	14	VDD	-	Power pins for digital block
3	CE	I	Chip enable input	15	FMIN	I	FM band local signal input
4	DI	I	Serial data input	16	AMIN	I	AM band local signal input
5	CK	I	Clock input	17	DGND	-	Connect to GND (for digital circuit)
6	DOUT	O	Serial data output	18	FMCP	O	Charge pump output for FM
7	SR	O	Register control pin	19	VT	-	Tuning voltage biased to 2.5V.
8	I/O1	I/O	I/O ports	20	AMCP	O	Charge pump output for AM
9	I/O2	I/O	I/O ports	21	VCC	-	Power pins for analog block
10	OUT1	-	Non connect	22	RF	I	Ripple filter connecting pin
11	OUT2	-	Non connect	23	AGND	-	Connect to GND (for analog circuit)
12	VDD2	-	Single power supply for REF. frequency block	24	XIN	I	Crystal oscillator pin

■ TEA6320T-X (IC161) : E.volume

1.Pin Layout

SDA	1	32	SCL
GND	2	31	VCC
OUTLR	3	30	OUTRR
OUTLF	4	29	OUTRF
TL	5	28	TR
B2L	6	27	B2R
B1L	7	26	B1R
IVL	8	25	IVR
ILL	9	24	ILR
QSL	10	23	QSR
IDL	11	22	IDR
MUTE	12	21	Vref
ICL	13	20	ICR
IMD	14	19	CAP
IBL	15	18	IBR
IAL	16	17	IAR
			CD-CH
			TAPE
			TUNER

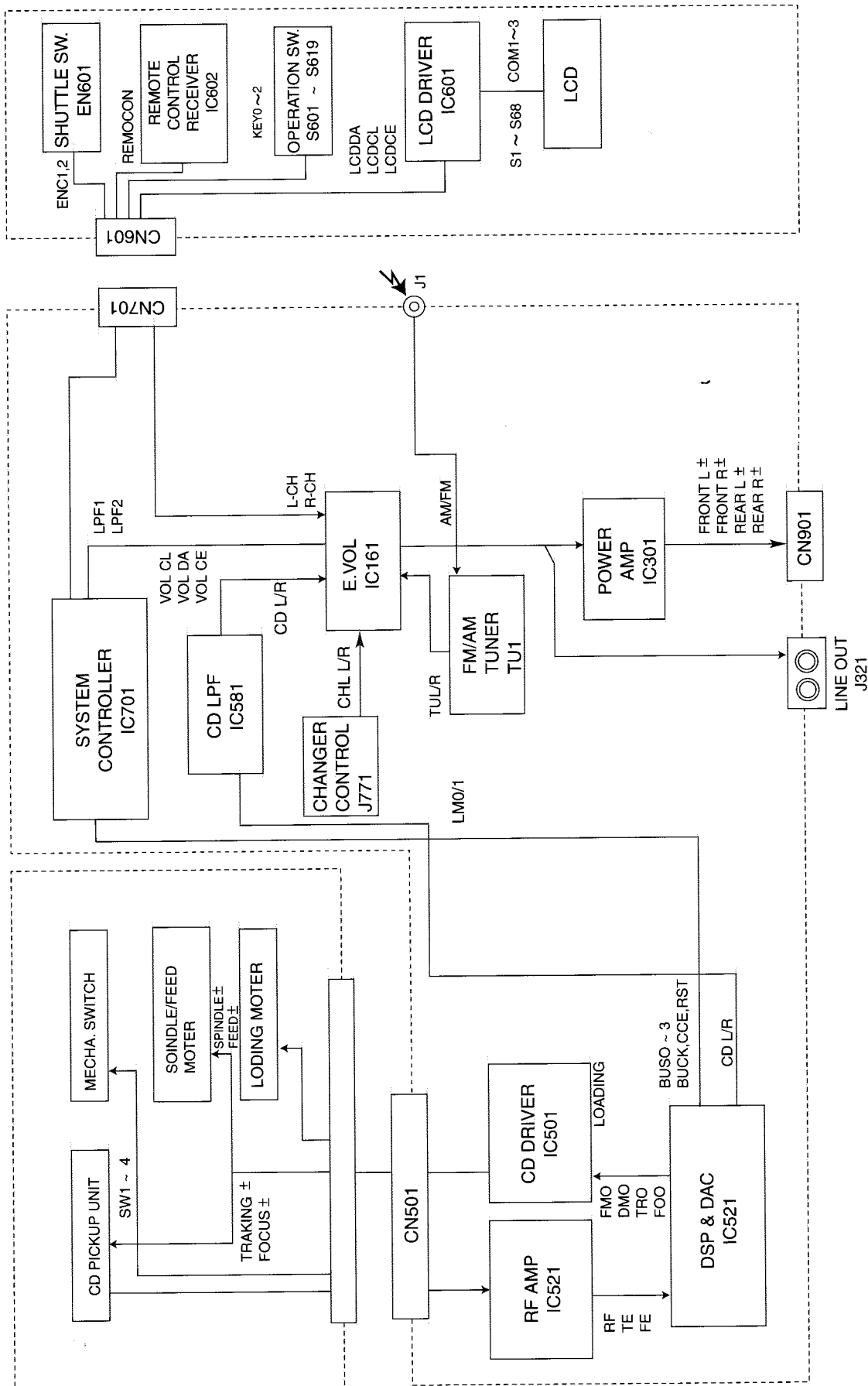
2.Block Diagram



3.Pin Functions

Pin No.	Symbol	I/O	Functions	Pin No.	Symbol	I/O	Functions
1	SDA	I/O	Serial data input/output.	17	IAR	I	Input A right source.
2	GND	-	Ground.	18	IBR	I	Input B right source.
3	OUTLR	O	output left rear.	19	CAP	-	Electronic filtering for supply.
4	OUTLF	O	output left front.	20	ICR	I	Input C right source.
5	TL	I	Treble control capacitor left channel or input from an external equalizer.	21	Vref	-	Reference voltage (0.5Vcc)
6	B2L	-	Bass control capacitor left channel or output to an external equalizer.	22	IDR	-	Not used
7	B1L	-	Bass control capacitor left channel.	23	QSR	O	Output source selector right channel.
8	IVL	I	Input volume 1. left control part.	24	ILR	I	Input loudness right channel.
9	ILL	I	Input loudness. left control part.	25	IVR	I	Input volume 1. right control part.
10	QSL	O	Output source selector. left channel.	26	B1R	-	Bass control capacitor right channel
11	IDL	-	Not used	27	B2R	O	Bass control capacitor right channel or output to an external equalizer.
12	MUTE	-	Not used	28	TR	I	Treble control capacitor right channel or input from an external equalizer.
13	ICL	I	Input C left source.	29	OUTRF	O	Output right front.
14	IMO	-	Not used	30	OUTRR	O	Output right rear.
15	IBL	I	Input B left source.	31	Vcc	-	Supply voltage.
16	IAL	I	Input A left source.	32	SCL	I	Serial clock input.

Block diagram

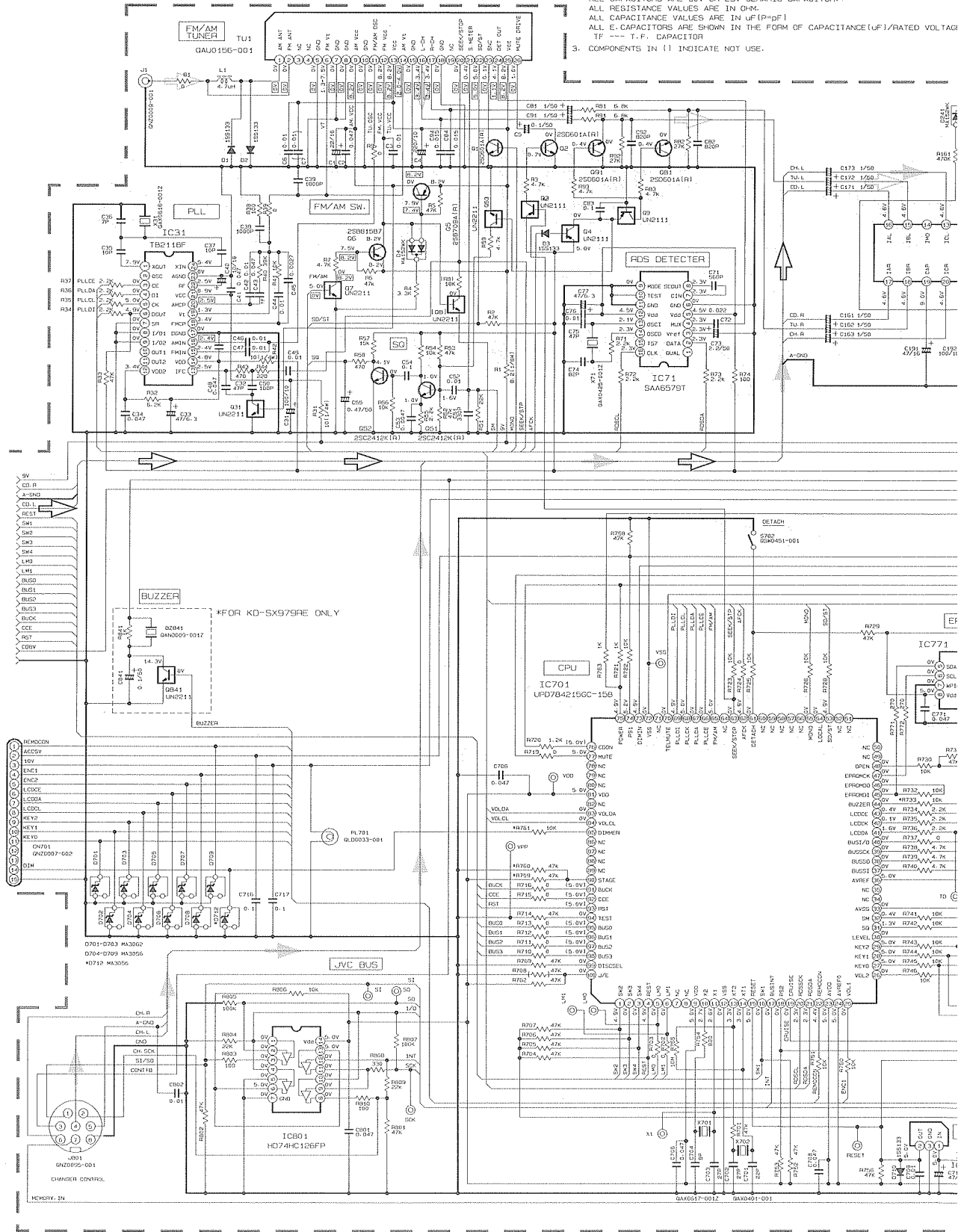


Standard schematic diagrams

Main amp. section

NOTES

1. VOLTAGES ARE DC-MEASURED WITH A DIGITAL VOLT METER WITHOUT INPUT SIGNAL CONDITION—FM MODE. □ AM MODE. I DCD MODE.
2. UNLESS OTHERWISE SPECIFIED, ALL RESISTORS ARE 1/10W 45K METAL GLAZE RESISTOR. ALL CAPACITORS ARE 50V OR 25V CERAMIC CAPACITOR. ALL RESISTANCE VALUES ARE IN OHM. ALL CAPACITANCE VALUES ARE IN μF (pF). ALL CAPACITORS ARE SHOWN IN THE FORM OF CAPACITANCE(μF)/RATED VOLTAGE. TF --- T.F. CAPACITOR.
3. COMPONENTS IN () INDICATE NOT USE.



6

5

4

3

2

1

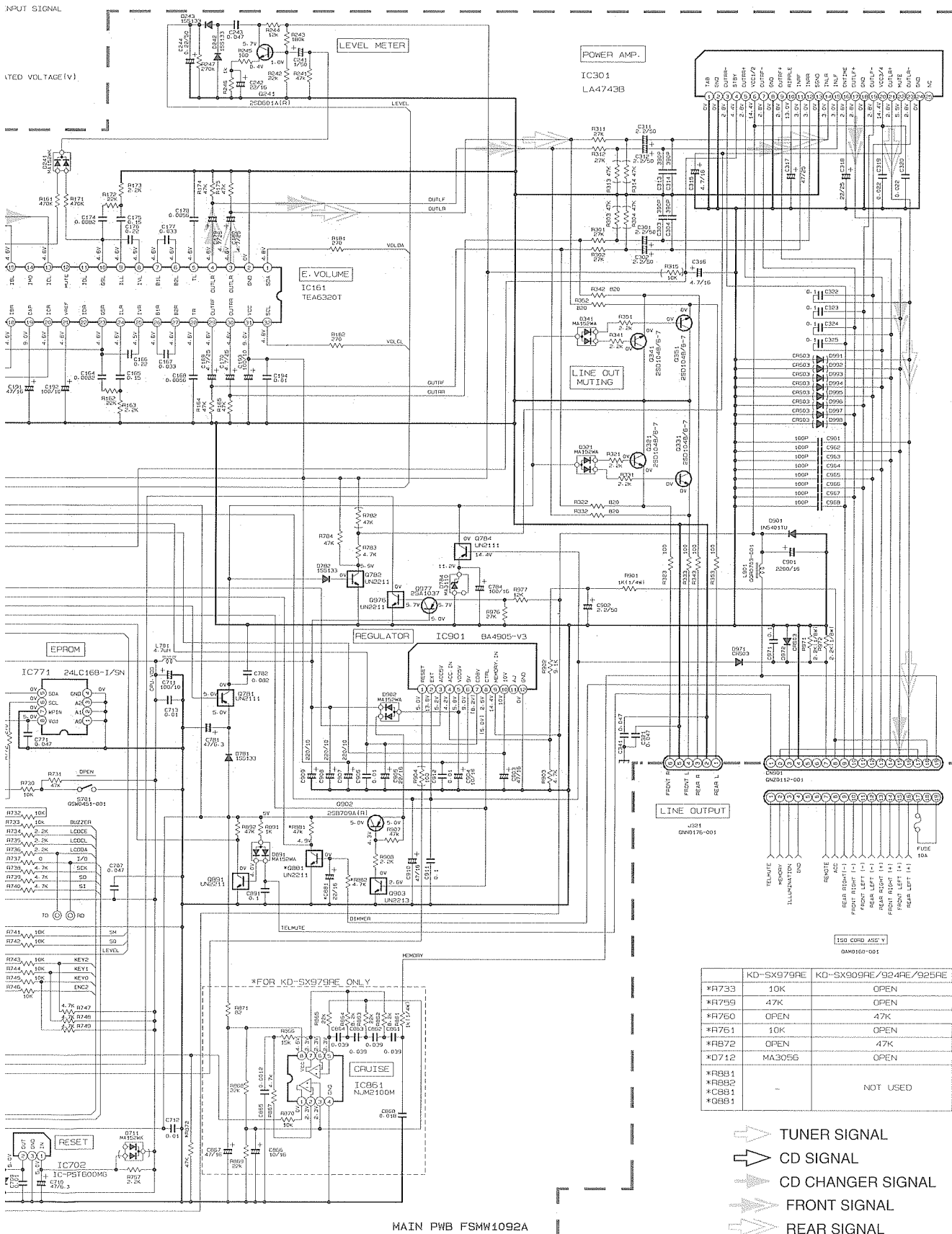
A

B

C

D

E

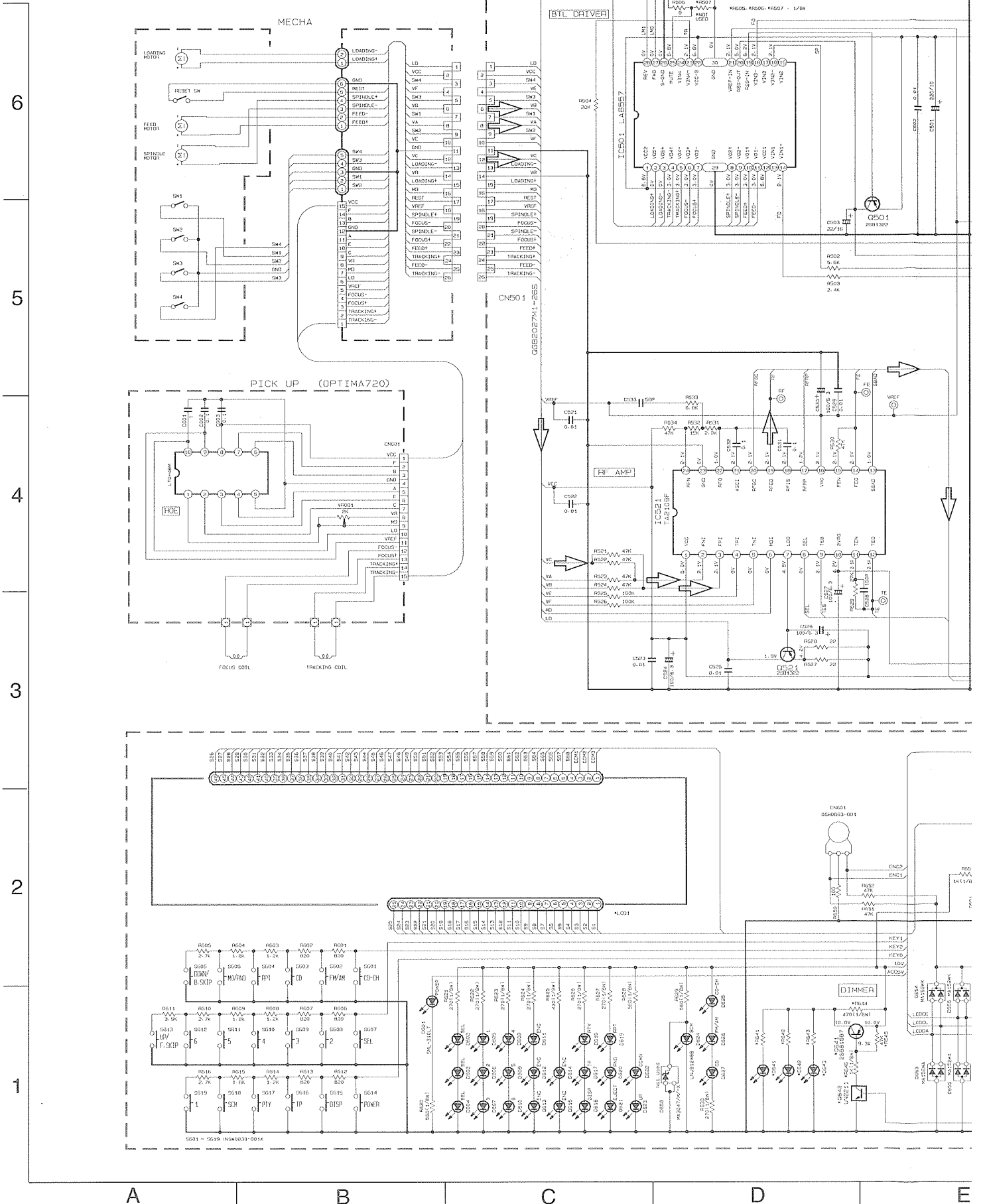


	KD-SX979RE	KD-SX909RE/924RE/925RE
*R733	10K	OPEN
*R759	47K	OPEN
*R760	OPEN	47K
*R761	10K	OPEN
*R762	OPEN	47K
*D712	MA3056	OPEN
*R881		
*R882		
*C881		
*Q881		
		NOT USED

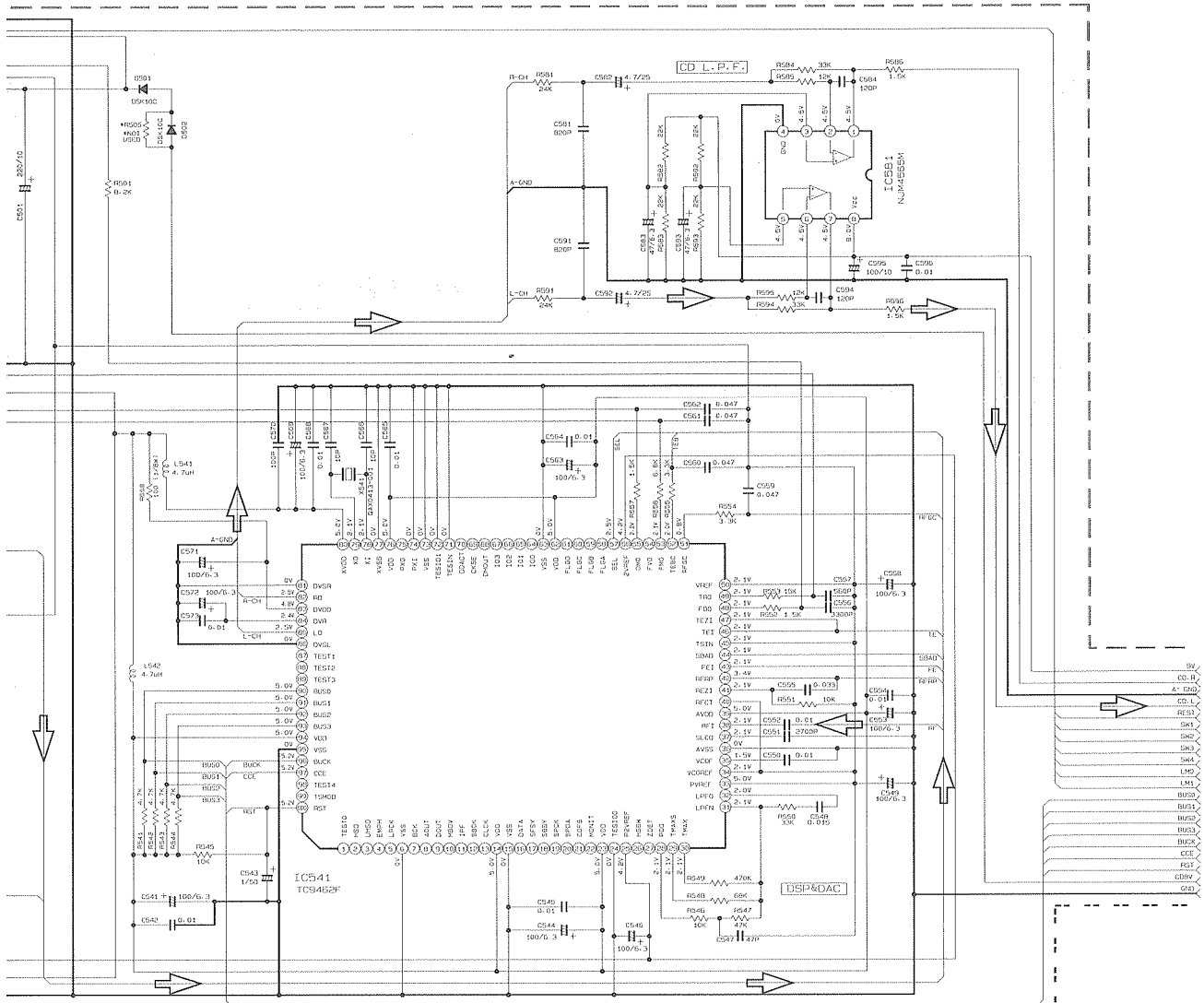
- ➡ TUNER SIGNAL
- ➡ CD SIGNAL
- ➡ CD CHANGER SIGNAL
- ➡ FRONT SIGNAL
- ➡ REAR SIGNAL

MAIN PWB FSM1092A

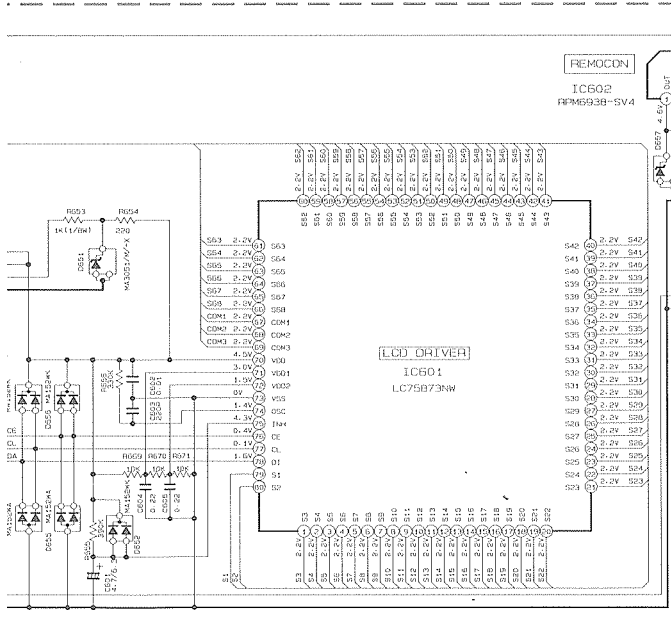
■ CD servo, LCD & Key control section



KD-SX979R/KD-SX925R
 KD-SX924R/KD-SX909R

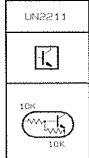


MAIN PWB FSMW1092A



SW PWB FSMW1081A

IC601	KD-SX979RE KD-SX909RE	KD-SX925RE KD-SX924RE	KD-SX925RE
D602-D607	KL00113-001	D-00124-001	KL00113-001
D641	LM3309B/1-1/3K	SM-310W17.0V-X	SM-310W17.0V-X
D642	NSPW310B5/BR/	SLA-360J73	NSP03080/4P/
D643			
D644	KD-SX979RE D5LY NR5181J-477K	NR5181J-102K	NR5181J-391K
D645	KD-SX925RE D5LY NR5181J-471K	NR5181J-0R0X	NR5181J-0R0X
D646			
D647			

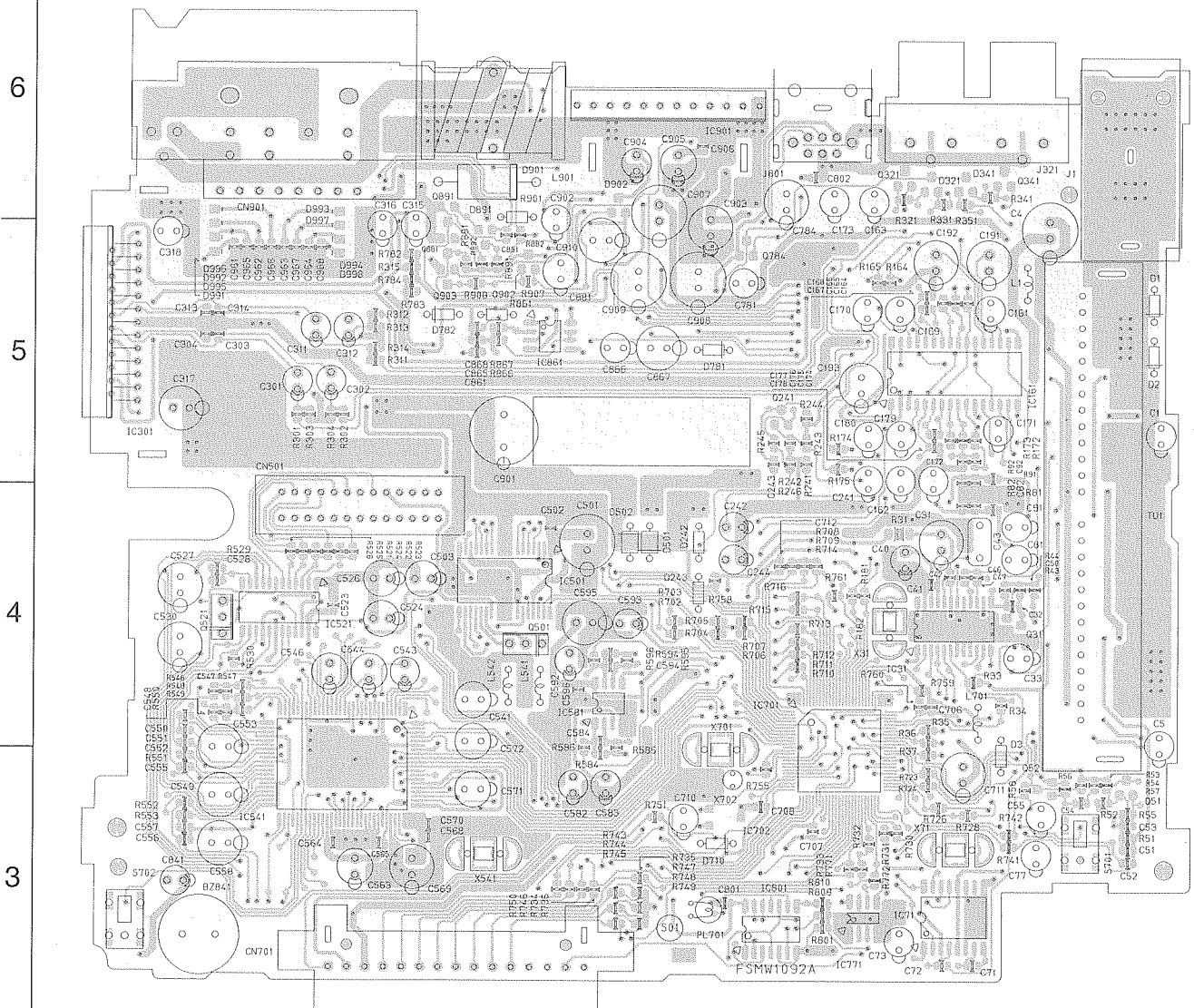


- NOTES
- VOLTAGES ARE DC-MEASURED WITH A DIGITAL VOLT METER WITHOUT INPUT SIGNAL. CONDITION --- CD MODE.
 - UNLESS OTHERWISE SPECIFIED, ALL RESISTORS ARE 1/10W 5% METAL GLAZE RESISTOR. ALL CAPACITORS ARE 50V OR 25V OR 16V CERAMIC CAPACITOR. ALL RESISTANCE VALUES ARE IN OHM. ALL CAPACITANCE VALUES ARE IN uF (P=PF). ALL CAPACITORS ARE SHOWN IN THE FORM OF CAPACITANCE (uF)/RATED VOLTAGE (V). T --- T.S.E CAPACITOR.

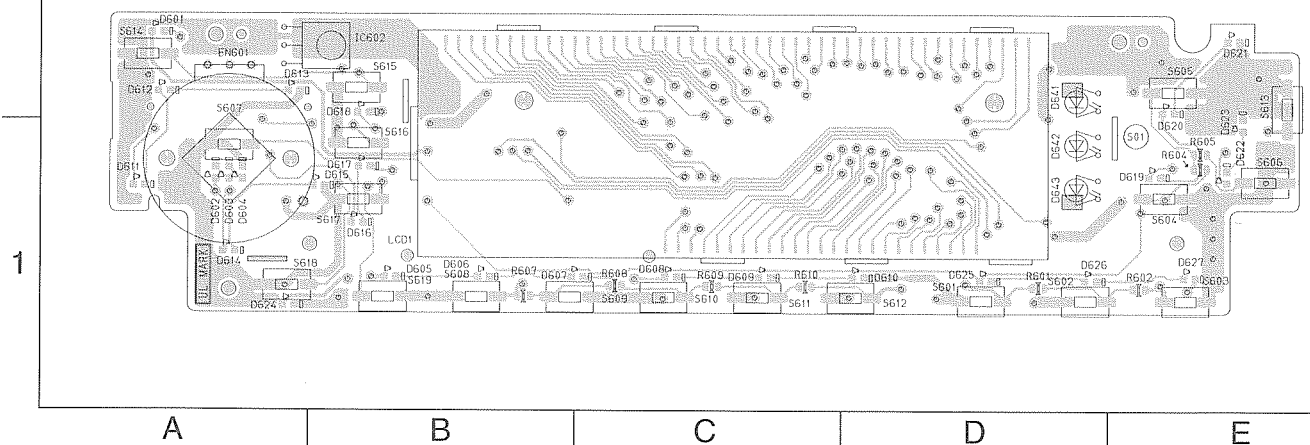
➡ CD SIGNAL

Printed circuit boards

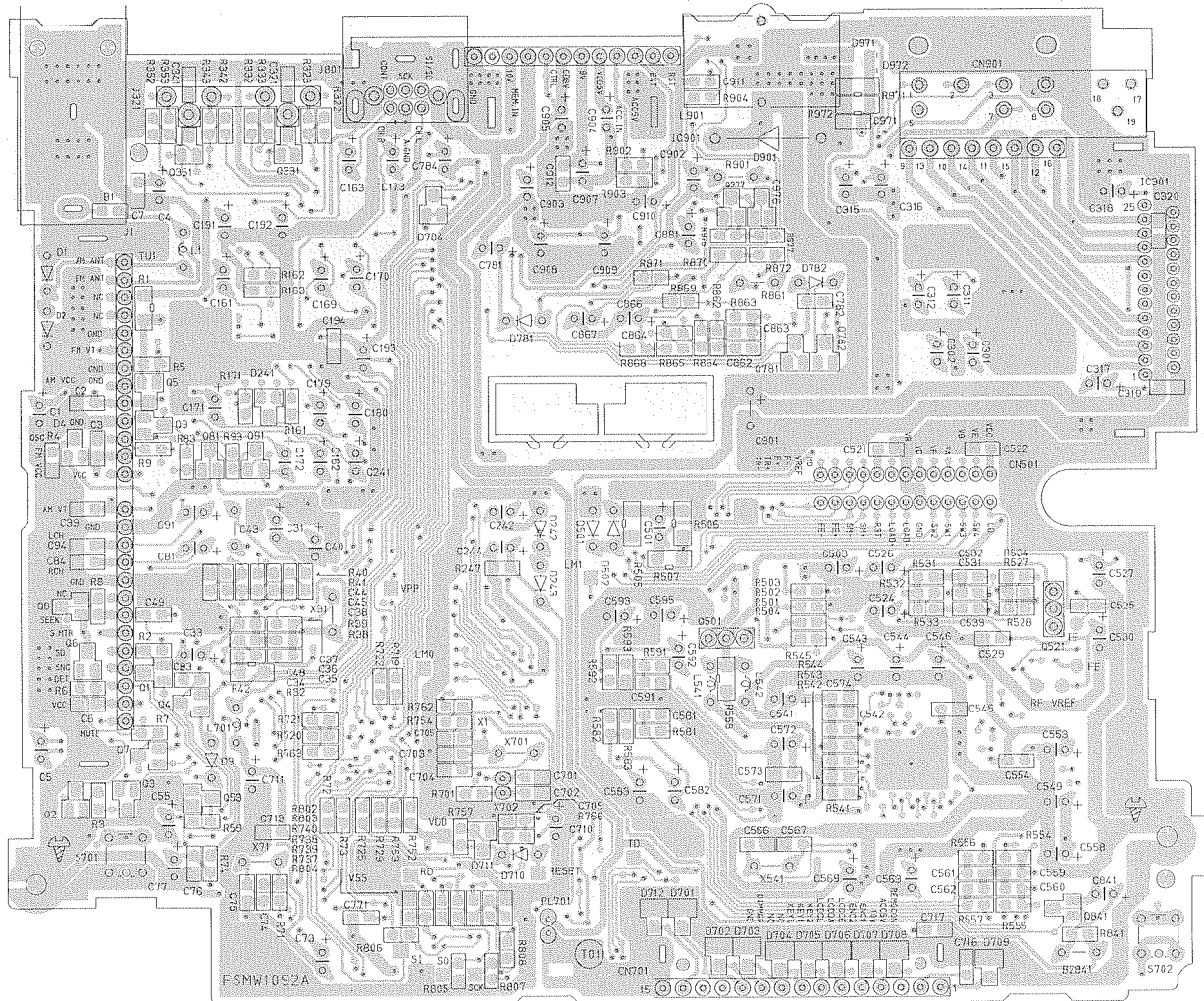
■ Main board (Forward side)



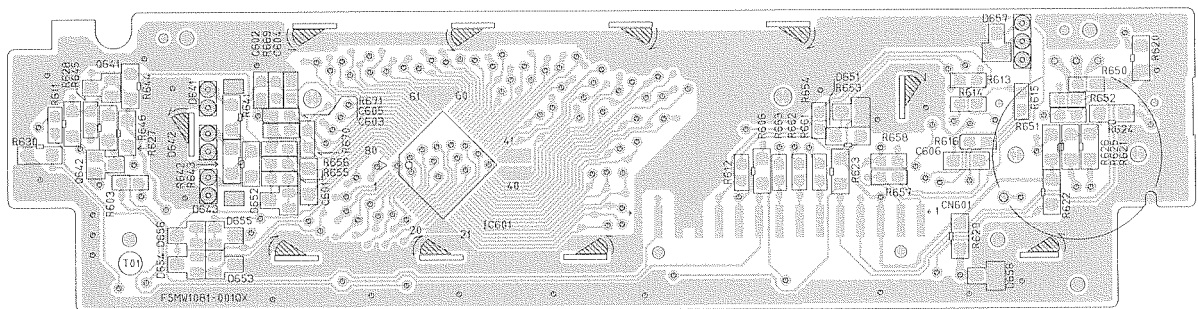
■ Switchboard (Forward side)



■ Main board (Reverse side)



■ Switchboard (Reverse side)



PARTS LIST

[KD-SX979R/KD-SX925R]
[KD-SX924R/KD-SX909R]

* All printed circuit boards and its assemblies are not available as service parts.

Area suffix
E ----- Continental Europe

- Contents -

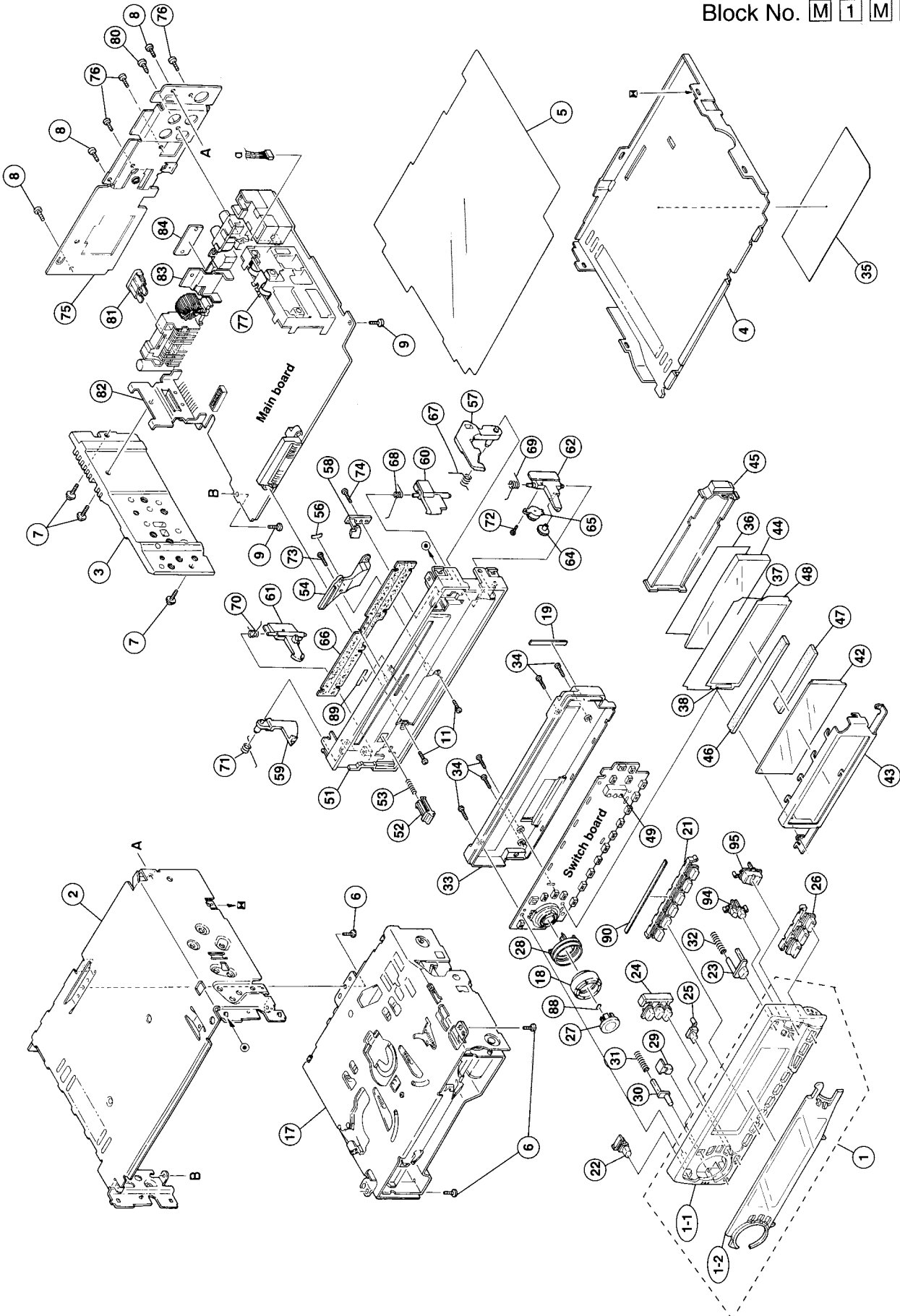
Exploded view of general assembly and parts list	3- 2
CD mechanism assembly and parts list	3- 5
Electrical parts list	3- 9
Packing materials and accessories parts list	3-15

KD-SX979R/KD-SX925R
KD-SX924R/KD-SX909R

Exploded view of general assembly and parts list

Block No.

M	1	M	M
---	---	---	---



■ Parts list (General assembly)

Block No. M1MM

△	Item	Parts number	Parts name	Q'ty	Description	Area
	1	ZCKDSX909R-NPA	NOSE PIECE	1	KD-SX909R	
		ZCKDSX924R-NPA	NOSE PIECE	1	KD-SX924R	
		ZCKDSX925R-NPA	NOSE PIECE	1	KD-SX925R	
		ZCKDSX979R-NPA	NOSE PIECE	1	KD-SX979R	
	1-1	FSJC1058-001	FRONT PANEL	1		
	1-2	FSJD3024-01F	FINDER ASSY	1	KD-SX979R	
		FSJD3024-01G	FINDER LENS	1	KD-SX909R	
		FSJD3024-01H	FINDER LENS	1	KD-SX925R	
		FSJD3024-01J	FINDER LENS	1	KD-SX924R	
	2	FSJC1029-024	TOP CHASSIS	1	FOR KD AND ISO	
	3	FSMH3001-003	HEAT SINK	1	BLACK	
	4	FSKM3011-002	BOTTOM COVER	1		
	5	FSMA3005-001	INSULATOR	1		
	6	QYSDST2604Z	SCREW	3	CHASSIS+CD MECH	
	7	FSKZ4005-001	SCREW	3	CHASSIS+SIDE PA	
	8	QYSDST2606Z	SCREW	3	CHASSIS+REAR BK	
	9	QYSDST2606Z	SCREW	2	CHASSIS+MAIN PW	
	11	QYSDSF2006M	SCREW	2		
	17	-----	CD MECHA	1		
	18	FSXK3003-005	VOL.KNOB	1	JOG DIAL	
	19	FSYH4036-035	SHEET	1	SLIDING SHEET	
	21	FSXP2045-002	PRESET BUTTON	1	1-6 LASER CUT	
	22	FSXP3053-002	POWER BUTTON	1		
	23	FSXP3058-001	EJECT BUTTON	1		
	24	FSXP2041-003	PUSH BUTTON(L)	1		
	25	FSXP4006-001	SCM BUTTON	1		
	26	FSXP2038-002	OPERAT.BUTTON	1		
	27	FSXP3061-001	SEL BUTTON	1		
	28	FSJK3027-001	RIM LENS	1	FOR KNOB	
	29	FSJK4009-001	REMOTE LENS	1	FOR REMOTE CON.	
	30	FSXP3059-001	DETACH BUTTON	1		
	31	VKW3001-330	COMP.SPRING	1	FOR DETACH BUTT	
	32	VKW3001-330	COMP.SPRING	1	FOR EJECT BUTTO	
	33	FSJC1059-001	REAR COVER	1		
	34	VKZ4777-001	MINI SCREW	5	FRONT+SW.PWB	
	35	FSYN3118-005	NAME PLATE	1	KD-SX925R	
		FSYN3119-005	NAME PLATE	1	KD-SX924R	
		FSYN3120-005	NAME PLATE	1	KD-SX909R	
		FSYN3115-005	NAME PLATE	1	KD-SX979R	
	36	FSYH4080-001	LIGHT SHEET	1	KD-SX925R	
	37	FSYH4061-002	LIGHT SHEET	1	KD-SX909R/924R	
	38	FSYH4036-059	LIGHT SHEET	1	KD-SX925R	
	42	QLD0113-001	L.C.DISPL.PANEL	1	KD-SX979R	
		QLD0123-001	L.C.DISPL.PANEL	1	KD-SX925R	
		QLD0124-001	L.C.DISPL.PANEL	1	KD-SX909R/924R	
	43	FSYH3024-001	L.C.D.CASE	1		
	44	FSJK3028-001	L.C.D.LENS	1		

■ Parts list (General assembly)

Block No. M1MM

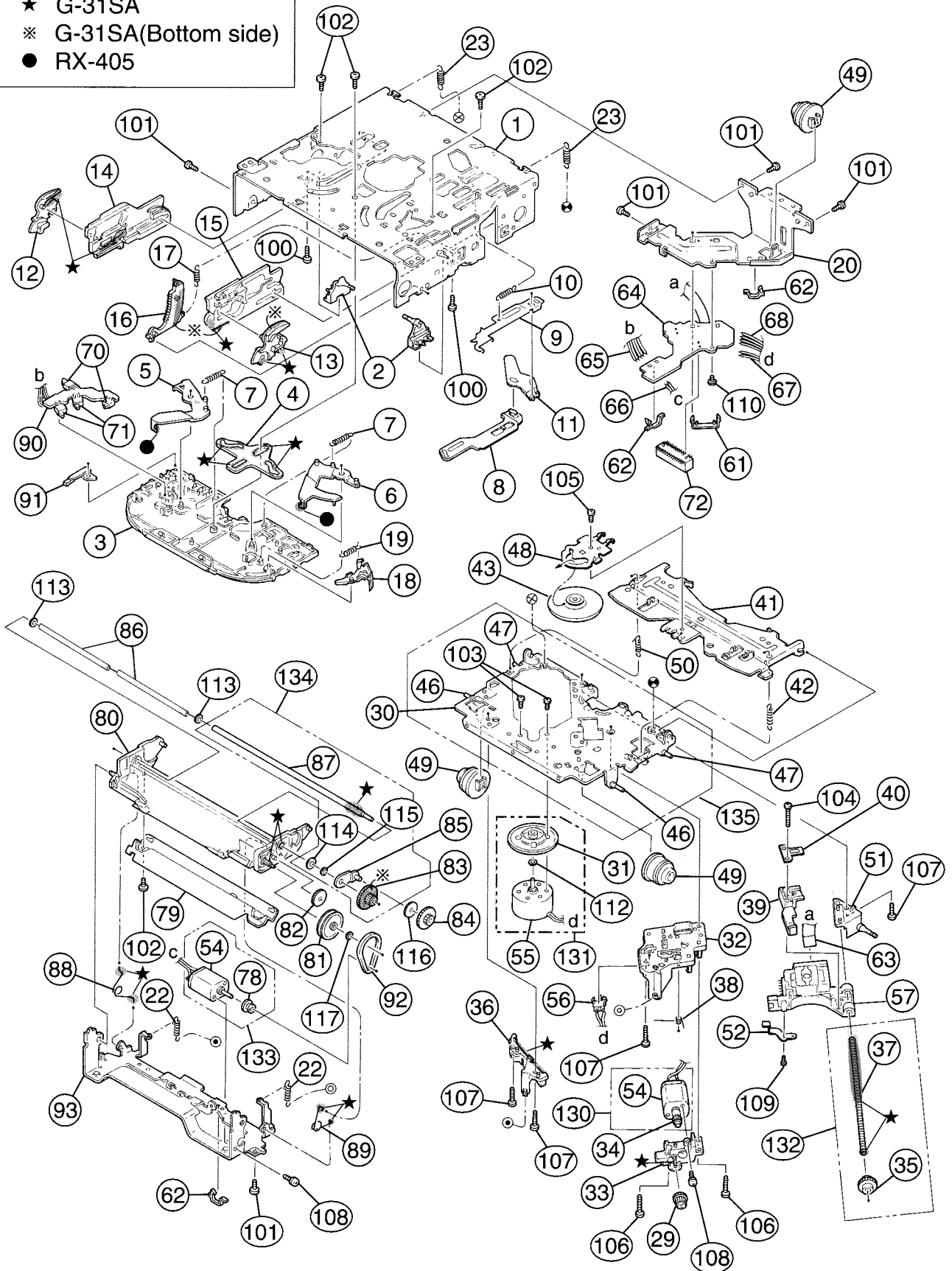
△	Item	Parts number	Parts name	Q'ty	Description	Area
	45	FSKS3013-001	LENS CASE	1		
	46	QNZ0449-001	RUBB.CONNECTOR	1		
	47	QNZ0450-001	RUBB.CONNECTOR	1		
	48	FSYH4061-001	LIGHT SHEET	1	KD-SX 909R/924R/979R	
		FSYH4061-003	LIGHT SHEET	1	KD-SX925R	
	49	FSKS3017-002	L.E.D.HOLDER	1		
	51	FSJC1061-001	FRONT CHASSIS	1		
	52	FSXP3060-001	RELEASE LEVER	1		
	53	FSKW3002-016	COMP.SPRING	1	FOR RELEASE KNO	
	54	VJK3709-002	LIGHT LENS	1		
	56	FSYH4036-055	SHEET	1	FOR LIGHT LENS	
	57	FSKS3014-001	OPEN LEVER	1		
	58	FSKS3015-001	LOCK LEVER(O.L)	1		
	59	VKS3794-003	LOCK LEVER(L)	1		
	60	VKS3793-001	LOCK LEVER(TOP)	1		
	61	VKS3798-002	RELEASE LEVER	1		
	62	VKS3795-002	LOCK LEVER(R)	1		
	64	VKS5563-001	GEAR	1		
	65	VKZ4786-002	OIL DAMPER	1		
	66	VYTA526-002	BLIND	1		
	67	FSKW4013-002	T.SPRING	1	FOR OPEN LEVER	
	68	FSKW4012-002	T.SPRING	1	FOR L.LEVER(TOP)	
	69	VKW5262-001	T.SPRING	1	FOR L.LEVER(R)	
	70	VKW5264-005	T.SPRING	1	FOR RELEASE LEV	
	71	VKW5263-002	T.SPRING	1	FOR L.LEVER(L)	
	72	QYSDSF2006M	SCREW	1	DAMPER+L.LEVER(
	73	VKZ4777-001	MINI SCREW	1	F.CHASSIS +LEN	
	74	VKZ4777-001	MINI SCREW	1	LOCK LEVER(O.L.	
	75	FSKM3012-014	REAR BRACKET	1		
	76	QYSDST2606Z	SCREW	3		
	77	VMA4652-001SS	EARTH PLATE	1		
	80	QYSDSF3006Z	SCREW	1		
△	81	QMFZ021-150-J1	FUSE	1		
	82	FSKL4024-001	P.W.B.BRACKET	1		
	83	FSKL4015-002	REG BRACKET	1		
	84	FSKL4014-002	HEAT SINK	1		
	88	FSYH4036-032	SHEET	1		
	89	FSYH4036-056	SHEET	1		
	90	FSYH4036-031	SHEET	1		
	94	FSXP3062-001	PUSH BUTTON	1		
	95	FSXP2043-001	UP DOWN BUTTON	1		

CD mechanism assembly and parts list

Block No. M 2 M M

Grease

- ★ G-31SA
- ※ G-31SA(Bottom side)
- RX-405



■ Parts list (CD mechanism)

Block No. M2MM

△	Item	Parts number	Parts name	Q'ty	Description	Area
	1	30310101T	FRAME	1		
	2	30310103T	DANPER PIN	2		
	3	30310107T	UPPER PLATE	1		
	4	30310108T	SEL STOP PLATE	1		
	5	30310142T	SEL ARM (L)L	1		
	6	30310143T	SEL ARM (R)L	1		
	7	30310145T	S ARM SPRING(L)	2		
	8	30310112T	TRIG LEVER	1		
	9	30310155T	TRIG PL(Z)	1		
	10	30310115T	TRIG PL SPRING	1		
	11	30310116T	TRIG ARM	1		
	12	30310134T	FIX ARM (L)B	1		
	13	30310159T	FIX ARM (R)Z	1		
	14	30310150T	FIX PL (L)Z	1		
	15	30310156T	FIX PL (R) Z	1		
	16	30310138T	LDG GR (6)B	1		
	17	30310122T	LDG GEAR (6)SP	1		
	18	30310148T	S.L ARM(N)	1		
	19	30310125T	S.L ARM SPRING	1		
	20	30310149T	REAR DAM BKT(Z)	1		
	22	30310151T	HUNG UP SP (FZ)	2		
	23	30310129T	HUNG UP SP (R)	2		
	29	30300510T	PU GEAR(B)	1		
	30	-----	T.T.BASE(Z)	1		
	31	-----	TURN TABLE(Z)	1		
	32	30310544T	F.M.BASE(Z)	1		
	33	30310547T	FD GR BLK(Z)	1		
	34	-----	FD GR AZ	1		
	35	-----	FD GR CZ	1		
	36	30310546T	PU GUIDE(Z)	1		
	37	-----	FD SCREW(Z)	1		
	38	30310533T	THRUST SPR(M)	1		
	39	30310548T	PU M NUT(Z)	1		
	40	30310512T	NUT PUSH SPR PL	1		
	41	30310558T	CLP ARM(Z)	1		
	42	30310514T	CLP ARM SPRING	1		
	43	30310552T	CLAMPER(Z)	1		
	46	-----	LOCK PIN(FZ)	2		
	47	-----	LOCK PIN(RZ)	2		
	48	30310557T	CLAMPER PLATE(Z)	1		
	49	30310524T	DAMPER (J)	3		
	50	30310525T	CLP ARM SPR (L)	1		
	51	30310545T	F SCREW GUIDE(Z)	1		
	52	30310556T	PU G.SP PLT(Z)	1		
	54	-----	FEED MOTOR	2	FF030PK-09210	
	55	-----	SPINDLE MOTOR	1	RF300CA-11440D	
	56	64180405T	DET SW	1	ESE11SF4	
	57	OPTIMA-720L1	C.D PICK (CAR)	1		

■ Parts list (CD mechanism)

Block No. M2MM

△	Item	Parts number	Parts name	Q'ty	Description	Area
	61	30311035T	FPC HOLDER(Z)	1		
	62	19501403T	WIRE CLAMPER	3		
	63	30311037T	PICK UP FPC(Z)	1		
	64	30311036T	CONNECT.PCB(Z-J	1		
	65	30311038T	WIRE (5P-Z)	1		
	66	30311039T	WIRE (LD-Z)	1		
	67	30311040T	WIRE (FD-Z)	1		
	68	30311041T	WIRE (RS-Z)	1		
	70	64180402T	DET SWITCH	2	ESE22MH1	
	71	64180403T	DET SWITCH	2	ESE22MH3	
	72	68150232T	CONNECTOR	1	TKC-W26X-C1	
	78	-----	LDG PULLEY	1		
	79	30311105T	SOPPORT PLATE	1		
	80	30311138T	GR MT BLK(N)	1		
	81	30311109T	LDG GEAR (2)	1		
	82	30311110T	LDG GEAR (3)	1		
	83	-----	LDG GEAR (4)	1		
	84	30311112T	LDG GEAR (5)	1		
	85	-----	LDG GR ARM	1		
	86	30311136T	LDG ROLLER	2		
	87	-----	LDG RLR SHAFT	1		
	88	30311118T	L.P SPRING (L)	1		
	89	30311119T	L.P SPRING (R)	1		
	90	30311123T	SW PCB	1		
	91	30311124T	SW ACTUATOR	1		
	92	30311129T	LDG BELT	1		
	93	30311140T	FRONT BRKT (J)	1		
	100	9C0620503T	C B TAP SCREW	2	M2X5	
	101	9C2020401T	C SCREW TS.G	5	M2X4	
	102	9C4320403T	C B TAP SCREW	4	M2X4	
	103	9C0117223T	SCREW	2	M1.7X2.2	
	104	9C4217703T	C TAP SCREW S3	1	M1.7X7	
	105	9C0320201T	C TAP SCREW S3	1	M2X2	
	106	9C4920013T	C TAP SCREW S3	2	M2X10	
	107	9C4920603T	C TAP SCREW B3	4	M2X6	
	108	9P0220031T	TAMS SCREW	2	M2X3	
	109	9C0314203T	C TAP SCREW	1	M1.4X2	
	110	9C0420253	C TAP SCREW	1	M2X2.5	
	112	-----	POLY WASHER	1	2.1X3.5X0.3	
	113	9W0330276	NW BLUE	2	2.9X5X0.3	
	114	-----	WAVE WASHER	1		
	115	-----	LUMILAR WASHER	1	2.5X6X0.1	
	116	9W0725030T	LUMILAR WASHER	1	2.3X9.8X0.25	
	117	9W0640030T	WASHER	1	1.4X3.2X0.4	
	130	303105310T	FEED MO ASSY	1		
	131	303105311T	SPINDLE MO ASSY	1		
	132	303105312T	FEED SCREW ASSY	1		
	133	303111301T	LDG MOTOR ASSY	1		

KD-SX979R/KD-SX925R
KD-SX924R/KD-SX909R

■ Parts list (CD mechanism)

Block No. M2MM

△	Item	Parts number	Parts name	Q'ty	Description	Area
	134	303111302T	ROLLER SHAFT	1		
		303111302T	ROLLER SHAFT	1		
	135	303105502T	T.T.BASE ASSY	1		

■ Electrical parts list (Main board)

Block No. 01

△	Item	Parts number	Parts name	Remarks	Area
	BZ841	QAN0009-001Z	BUZZER		
	C 1	QEKJ1CM-226Z	E.CAPA 1.M	22MF 20% 16V	
	C 2	NCB21EK-473X	C CAPACITOR		
	C 3	NCB21HK-103X	C CAPACITOR		
	C 4	QER41AM-227	E CAPACITOR	220MF 20% 10V	
	C 5	QEKJ1HM-104Z	E.CAPA 1.M	.10MF 20% 50V	
	C 31	QEKJ1AM-107Z	E.CAPA 1.M	100MF 20% 10V	
	C 32	NCS21HJ-470X	C CAPACITOR		
	C 33	QEKJ0JM-476Z	E.CAPA 1.M	47MF 20% 6.3V	
	C 34	NCB21EK-473X	C CAPACITOR		
	C 35	NDC21HJ-100X	C CAPACITOR		
	C 36	NDC21HJ-7R0X	C CAPACITOR		
	C 37	NDC21HJ-100X	C CAPACITOR		
	C 38	NCB21HK-102X	C CAPACITOR		
	C 39	NCB21HK-102X	C CAPACITOR		
	C 40	QEK41CM-106	E.CAPA 1.M	10MF 20% 16V	
	C 41	NCB21EK-473X	C CAPACITOR		
	C 42	NCB21HK-103X	C CAPACITOR		
	C 43	QFV41HJ-473	TF CAPACITOR	.047MF 5% 50V	
	C 44	NCB21HK-103X	C CAPACITOR		
	C 45	NCB21HK-272X	C CAPACITOR		
	C 46	NCB21HK-103X	C CAPACITOR		
	C 47	NCB21HK-103X	C CAPACITOR		
	C 48	NCB21EK-473X	C CAPACITOR		
	C 49	NCB21HK-103X	C CAPACITOR		
	C 50	NCS21HJ-101X	C CAPACITOR		
	C 51	NCS21HJ-331X	C CAPACITOR		
	C 52	NCB21HK-103X	C CAPACITOR		
	C 53	NCB21EK-472X	C CAPACITOR		
	C 54	NCB21EK-104X	C CAPACITOR		
	C 55	QEK41HM-474	E.CAPA 1.M	.47MF 20% 50V	
	C 71	NCS21HJ-561X	C CAPACITOR		
	C 72	NCB21EK-223X	C CAPACITOR		
	C 73	QERF1HM-225Z	E CAPACITOR	2.2MF 20% 50V	
	C 74	NDC21HJ-820X	C CAPACITOR		
	C 75	NDC21HJ-470X	C CAPACITOR		
	C 76	NCB21HK-103X	C CAPACITOR		
	C 77	QEKJ0JM-476Z	E.CAPA 1.M	47MF 20% 6.3V	
	C 81	QER41HM-105	E CAPACITOR	1.0MF 20% 50V	
	C 82	NCB21HK-821X	C CAPACITOR		
	C 83	NCB21EK-104X	C CAPACITOR		
	C 84	NCB21HK-153X	C CAPACITOR		
	C 91	QER41HM-105	E CAPACITOR	1.0MF 20% 50V	
	C 92	NCB21HK-821X	C CAPACITOR		
	C 94	NCB21HK-153X	C CAPACITOR		
	C 161	QEKJ1HM-105Z	E.CAPA 1.M	1.0MF 20% 50V	
	C 162	QEKJ1HM-105Z	E.CAPA 1.M	1.0MF 20% 50V	
	C 163	QEKJ1HM-105Z	E.CAPA 1.M	1.0MF 20% 50V	
	C 164	NCB21HK-822X	C CAPACITOR		
	C 165	NCB21EK-154X	C CAPACITOR		
	C 166	NCB21CK-224X	C CAPACITOR		
	C 167	NCB21HK-333X	C CAPACITOR		
	C 168	NCB21HK-562X	C CAPACITOR		
	C 169	QEK41EM-475	E.CAPA 1.M	4.7MF 20% 25V	
	C 170	QEK41EM-475	E.CAPA 1.M	4.7MF 20% 25V	
	C 171	QEKJ1HM-105Z	E.CAPA 1.M	1.0MF 20% 50V	
	C 172	QEKJ1HM-105Z	E.CAPA 1.M	1.0MF 20% 50V	
	C 173	QEKJ1HM-105Z	E.CAPA 1.M	1.0MF 20% 50V	
	C 174	NCB21HK-822X	C CAPACITOR		
	C 175	NCB21EK-154X	C CAPACITOR		
	C 176	NCB21CK-224X	C CAPACITOR		
	C 177	NCB21HK-333X	C CAPACITOR		
	C 178	NCB21HK-562X	C CAPACITOR		
	C 179	QEK41EM-475	E.CAPA 1.M	4.7MF 20% 25V	
	C 180	QEK41EM-475	E.CAPA 1.M	4.7MF 20% 25V	
	C 191	QEK41CM-476	E.CAPA 1.M	47MF 20% 16V	
	C 192	QEKJ1AM-107Z	E.CAPA 1.M	100MF 20% 10V	
	C 193	QEKJ1AM-107Z	E.CAPA 1.M	100MF 20% 10V	
	C 194	NCB21HK-103X	C CAPACITOR		

△	Item	Parts number	Parts name	Remarks	Area
	C 241	QEKJ1HM-105Z	E.CAPA 1.M	1.0MF 20% 50V	
	C 242	QEKJ1CM-226Z	E.CAPA 1.M	22MF 20% 16V	
	C 243	NCB21EK-473X	C CAPACITOR		
	C 244	QERF1HM-224Z	E CAPACITOR	.22MF 20% 50V	
	C 301	QERF1HM-225Z	E CAPACITOR	2.2MF 20% 50V	
	C 302	QERF1HM-225Z	E CAPACITOR	2.2MF 20% 50V	
	C 303	NCS21HJ-391X	C CAPACITOR		
	C 304	NCS21HJ-391X	C CAPACITOR		
	C 311	QERF1HM-225Z	E CAPACITOR	2.2MF 20% 50V	
	C 312	QERF1HM-225Z	E CAPACITOR	2.2MF 20% 50V	
	C 313	NCS21HJ-391X	C CAPACITOR		
	C 314	NCS21HJ-391X	C CAPACITOR		
	C 315	QERF1CM-475Z	C CAPACITOR	4.7MF 20% 16V	
	C 316	QEEF1CM-475A	C CAPACITOR	4.7MF 20% 16V	
	C 317	QERF1CM-476Z	C CAPACITOR	47MF 20% 16V	
	C 318	QEKJ1CM-226Z	C CAPACITOR	22MF 20% 16V	
	C 319	NCB21EK-223X	C CAPACITOR		
	C 320	NCB21EK-223X	C CAPACITOR		
	C 321	NCB21EK-473X	C CAPACITOR		
	C 322	NCB21EK-104X	C CAPACITOR		
	C 323	NCB21EK-104X	C CAPACITOR		
	C 324	NCB21EK-104X	C CAPACITOR		
	C 325	NCB21EK-104X	C CAPACITOR		
	C 341	NCB21EK-473X	C CAPACITOR		
	C 501	QER41AM-227	E CAPACITOR	220MF 20% 10V	
	C 502	NCB21HK-103X	C CAPACITOR		
	C 503	QERF1CM-226Z	E CAPACITOR	22MF 20% 16V	
	C 521	NCB21HK-103X	C CAPACITOR		
	C 522	NCB21HK-103X	C CAPACITOR		
	C 523	NCB21HK-103X	C CAPACITOR		
	C 524	QEKJ0JM-107Z	E.CAPA 1.M	100MF 20% 6.3V	
	C 525	NCB21HK-103X	C CAPACITOR		
	C 526	QEKJ0JM-107Z	E.CAPA 1.M	100MF 20% 6.3V	
	C 527	QERF0JM-107Z	C CAPACITOR	100MF 20% 6.3V	
	C 528	NCS21HJ-101X	C CAPACITOR		
	C 529	NCB21HK-103X	C CAPACITOR		
	C 530	QERF0JM-107Z	C CAPACITOR	100MF 20% 6.3V	
	C 531	NCB21EK-104X	C CAPACITOR		
	C 532	NCB21EK-104X	C CAPACITOR		
	C 533	NDC21HJ-560X	C CAPACITOR		
	C 541	QEKJ0JM-107Z	E.CAPA 1.M	100MF 20% 6.3V	
	C 542	NCB21HK-103X	C CAPACITOR		
	C 543	QEKJ1HM-105Z	E.CAPA 1.M	1.0MF 20% 50V	
	C 544	QEKJ0JM-107Z	E.CAPA 1.M	100MF 20% 6.3V	
	C 545	NCB21HK-103X	C CAPACITOR		
	C 546	QEKJ0JM-107Z	E.CAPA 1.M	100MF 20% 6.3V	
	C 547	NCS21HJ-470X	C CAPACITOR		
	C 548	NCB21HK-153X	C CAPACITOR		
	C 549	QERF0JM-107Z	C CAPACITOR	100MF 20% 6.3V	
	C 550	NCB21HK-103X	C CAPACITOR		
	C 551	NCB21HK-272X	C CAPACITOR		
	C 552	NCB21HK-103X	C CAPACITOR		
	C 553	QERF0JM-107Z	C CAPACITOR	100MF 20% 6.3V	
	C 554	NCB21HK-103X	C CAPACITOR		
	C 555	NCB21HK-333X	C CAPACITOR		
	C 556	NCB21HK-332X	C CAPACITOR		
	C 557	NCS21HJ-561X	C CAPACITOR		
	C 558	QERF0JM-107Z	C CAPACITOR	100MF 20% 6.3V	
	C 559	NCB21EK-473X	C CAPACITOR		
	C 560	NCB21EK-473X	C CAPACITOR		
	C 561	NCB21EK-473X	C CAPACITOR		
	C 562	NCB21EK-473X	C CAPACITOR		
	C 563	QEKJ0JM-107Z	E.CAPA 1.M	100MF 20% 6.3V	
	C 564	NCB21HK-103X	C CAPACITOR		
	C 565	NCB21HK-103X	C CAPACITOR		
	C 566	NDC21HJ-100X	C CAPACITOR		
	C 567	NDC21HJ-100X	C CAPACITOR		
	C 568	NCB21HK-103X	C CAPACITOR		
	C 569	QEKJ0JM-107Z	E.CAPA 1.M	100MF 20% 6.3V	
	C 570	NCS21HJ-101X	C CAPACITOR		

■ Electrical parts list (Main board)

Block No. 01

△	Item	Parts number	Parts name	Remarks	Area
	C 571	QEKJ0JM-107Z	E.CAPA I.M	100MF 20% 6.3V	
	C 572	QEKJ0JM-107Z	E.CAPA I.M	100MF 20% 6.3V	
	C 573	NCB21HK-103X	C CAPACITOR		
	C 581	NCS21HJ-821X	C CAPACITOR		
	C 582	QEK41EM-475	E.CAPA I.M	4.7MF 20% 25V	
	C 583	QEKJ0JM-476Z	E.CAPA I.M	47MF 20% 6.3V	
	C 584	NCS21HJ-121X	C CAPACITOR		
	C 591	NCS21HJ-821X	C CAPACITOR		
	C 592	QEK41EM-475	E.CAPA I.M	4.7MF 20% 25V	
	C 593	QEKJ0JM-476Z	E.CAPA I.M	47MF 20% 6.3V	
	C 594	NCS21HJ-121X	C CAPACITOR		
	C 595	QEKJ1AM-107Z	E.CAPA I.M	100MF 20% 10V	
	C 596	NCB21HK-103X	C CAPACITOR		
	C 701	NDC21HJ-220X	C CAPACITOR		
	C 702	NDC21HJ-270X	C CAPACITOR		
	C 703	NDC21HJ-270X	C CAPACITOR		
	C 704	NDC21HJ-8R0X	C CAPACITOR		
	C 705	NCB21EK-473X	C CAPACITOR		
	C 706	NCB21EK-473X	C CAPACITOR		
	C 707	NCB21EK-473X	C CAPACITOR		
	C 708	NCB21EK-473X	C CAPACITOR		
	C 709	NCB21HK-103X	C CAPACITOR		
	C 710	QEKJ0JM-476Z	E.CAPA I.M	47MF 20% 6.3V	
	C 711	QER41AM-107	E CAPACITOR	100MF 20% 10V	
	C 712	NCB21HK-103X	C CAPACITOR		
	C 713	NCB21HK-103X	C CAPACITOR		
	C 716	NCB21EK-104X	C CAPACITOR		
	C 717	NCB21EK-104X	C CAPACITOR		
	C 771	NCB21EK-473X	C CAPACITOR		
	C 781	QEKJ0JM-476Z	E.CAPA I.M	47MF 20% 6.3V	
	C 782	NCB21EK-823X	C CAPACITOR	KD-SX979R	
	C 784	QEKJ1CM-107Z	E.CAPA I.M	100MF 20% 16V	
	C 801	NCB21EK-473X	C CAPACITOR		
	C 802	NCB21HK-103X	C CAPACITOR		
	C 841	QERF1HM-104Z	E CAPACITOR	10MF 20% 50V	
	C 861	NCB21EK-393X	C CAPACITOR		
	C 862	NCB21EK-393X	C CAPACITOR		
	C 863	NCB21EK-393X	C CAPACITOR		
	C 864	NCB21EK-393X	C CAPACITOR		
	C 865	NCB21HK-122X	C CAPACITOR		
	C 866	QEK41CM-106	E.CAPA I.M	10MF 20% 16V	
	C 867	QEK41CM-476	E.CAPA I.M	47MF 20% 16V	
	C 868	NCB21HK-183X	C CAPACITOR		
	C 881	QERF1CM-226Z	E CAPACITOR	22MF 20% 16V	
	C 891	NCB21EK-104X	C CAPACITOR		
	C 901	QEZ0338-228	E CAPACITOR	2200MF	
	C 902	QERF1HM-225Z	E CAPACITOR	2.2MF 20% 50V	
	C 903	QER41CM-476	E.CAPA I.M	47MF 20% 16V	
	C 904	QER41CM-106	E CAPACITOR	10MF 20% 16V	
	C 905	QERF1CM-226Z	E CAPACITOR	22MF 20% 16V	
	C 906	NCB21HK-103X	C CAPACITOR		
	C 907	QER41AM-227	E CAPACITOR	220MF 20% 10V	
	C 908	QER41AM-227	E CAPACITOR	220MF 20% 10V	
	C 909	QER41AM-227	E CAPACITOR	220MF 20% 10V	
	C 910	QER41CM-476X	E.CAPA I.M	47MF 20% 16V	
	C 911	NCB21CK-104X	C CAPACITOR		
	C 961	NCS21HJ-101X	C CAPACITOR		
	C 962	NCS21HJ-101X	C CAPACITOR		
	C 963	NCS21HJ-101X	C CAPACITOR		
	C 964	NCS21HJ-101X	C CAPACITOR		
	C 965	NCS21HJ-101X	C CAPACITOR		
	C 966	NCS21HJ-101X	C CAPACITOR		
	C 967	NCS21HJ-101X	C CAPACITOR		
	C 968	NCS21HJ-101X	C CAPACITOR		
	C 971	NCB21EK-104X	C CAPACITOR		
	CN501	QGB2027M1-26S	CONNECTOR		
	CN701	QNZ0007-002	CAR CONNECTOR		
	CN901	QNZ0112-001	CAR CONNECTOR		

△	Item	Parts number	Parts name	Remarks	Area
	D 1	1SS133-T1	SI DIODE I/M		
	D 2	1SS133-T1	SI DIODE I/M		
	D 3	1SS133-T1	SI DIODE I/M		
	D 4	MA152WK-X	SI DIODE		
	D 241	MA152WK-X	SI DIODE		
	D 242	1SS133-T1	SI DIODE I/M		
	D 243	1SS133-T1	SI DIODE I/M		
	D 321	MA152WA-X	DIODE		
	D 341	MA152WA-X	DIODE		
	D 501	DSK10C-T1	DIODE		
	D 502	DSK10C-T1	DIODE		
	D 701	MA3062/H/-X	ZENER DIODE		
	D 702	MA3062/H/-X	ZENER DIODE		
	D 703	MA3062/H/-X	ZENER DIODE		
	D 704	MA3056/M/-X	ZENER DIODE		
	D 705	MA3056/M/-X	ZENER DIODE		
	D 706	MA3056/M/-X	ZENER DIODE		
	D 707	MA3056/M/-X	ZENER DIODE		
	D 708	MA3056/M/-X	ZENER DIODE		
	D 709	MA3056/M/-X	ZENER DIODE		
	D 710	1SS133-T1	SI DIODE I/M		
	D 712	MA3056/M/-X	ZENER DIODE		
	D 781	1SS133-T1	SI DIODE I/M		
	D 782	1SS133-T1	SI DIODE I/M		
	D 784	MA3110/M/-X	ZENER DIODE		
	D 891	MA152WA-X	DIODE		
	D 901	1N5401-TU-15	DIODE		
	D 902	MA152WA-X	DIODE		
	D 971	CRS03-W	SB DIODE		
	D 972	CRS03-W	SB DIODE		
	D 991	CRS03-W	SB DIODE		
	D 992	CRS03-W	SB DIODE		
	D 993	CRS03-W	SB DIODE		
	D 994	CRS03-W	SB DIODE		
	D 995	CRS03-W	SB DIODE		
	D 996	CRS03-W	SB DIODE		
	D 997	CRS03-W	SB DIODE		
	D 998	CRS03-W	SB DIODE		
	IC 31	TB2118F-X	IC		
	IC 71	SAA6579T-X	IC		
	IC161	TEA6320T-X	IC		
	IC301	LA4743B	IC		
	IC501	LA6557-X	IC		
	IC521	TA2109F-X	IC		
	IC541	TC9462F	IC		
	IC581	NJM4565M-WE	IC		
	IC701	UPD784215GC-158	IC		
	IC702	IC-PST600M/G/-W	IC		
	IC771	24LC16B-I/SN-X	IC		
	IC801	HD74HC126FP-X	IC		
	IC861	NJM2100M-WE	IC		
	IC901	BA4905-V3	IC		
	J 1	QNZ0009-001	CAR ANT JACK		
	J 321	QNN0176-001	PIN JACK		
	J 801	QNZ0095-001	CONNECTOR		
	L 1	QQL244J-4R7Z	INDUCTOR		
	L 541	QQL244J-4R7Z	INDUCTOR		
	L 542	QQL244J-4R7Z	INDUCTOR		
	L 701	QQL244K-4R7Z	INDUCTOR		
	L 901	QQR0703-001			
	PL701	QLL0033-001	LAMP		
	Q 1	2SD601A/R/-X	TRANSISTOR		
	Q 2	2SD601A/R/-X	TRANSISTOR		
	Q 3	UN2111-X	TRANSISTOR		
	Q 4	UN2111-X	TRANSISTOR		
	Q 5	2SB709A/R/-X	TRANSISTOR		
	Q 6	2SB815/7/-X	TRANSISTOR		
	Q 7	UN2211-X	TRANSISTOR		

■ Electrical parts list (Main board)

Block No. 01

△	Item	Parts number	Parts name	Remarks	Area
	Q 9	UN2111-X	TRANSISTOR		
	Q 31	UN2211-X	TRANSISTOR		
	Q 51	2SC2412K/R/-X	TRANSISTOR		
	Q 52	2SC2412K/R/-X	TRANSISTOR		
	Q 53	UN2211-X	TRANSISTOR		
	Q 81	2SD601A/R/-X	TRANSISTOR		
	Q 91	2SD601A/R/-X	TRANSISTOR		
	Q 241	2SD601A/R/-X	TRANSISTOR		
	Q 321	2SD1048/6-7/-X	TRANSISTOR		
	Q 331	2SD1048/6-7/-X	TRANSISTOR		
	Q 341	2SD1048/6-7/-X	TRANSISTOR		
	Q 351	2SD1048/6-7/-X	TRANSISTOR		
	Q 501	2SB1322/RS/-T	TRANSISTOR		
	Q 521	2SB1322/RS/-T	TRANSISTOR		
	Q 781	UN2111-X	TRANSISTOR		
	Q 782	UN2211-X	TRANSISTOR		
	Q 784	UN2111-X	TRANSISTOR		
	Q 841	UN2211-X	TRANSISTOR		
	Q 881	UN2211-X	TRANSISTOR		
	Q 891	UN2211-X	TRANSISTOR		
	Q 902	2SB709A/R/-X	TRANSISTOR		
	Q 903	UN2213-X	TRANSISTOR		
	Q 976	UN2211-X	TRANSISTOR		
	Q 977	2SA1037AK/RS/-X	SI.TRANSISTOR		
	R 1	NRS181J-8R2X	MG RESISTOR		
	R 2	NRSA02J-473X	MG RESISTOR		
	R 3	NRSA02J-472X	MG RESISTOR		
	R 4	NRSA02J-332X	MG RESISTOR		
	R 5	NRSA02J-473X	MG RESISTOR		
	R 6	NRSA02J-473X	MG RESISTOR		
	R 7	NRSA02J-472X	MG RESISTOR		
	R 9	NRSA02J-0R0X	MG RESISTOR		
	R 31	NRS181J-100X	MG RESISTOR		
	R 32	NRSA02J-622X	MG RESISTOR		
	R 33	NRSA02J-473X	MG RESISTOR		
	R 34	NRSA02J-222X	MG RESISTOR		
	R 35	NRSA02J-222X	MG RESISTOR		
	R 36	NRSA02J-222X	MG RESISTOR		
	R 37	NRSA02J-222X	MG RESISTOR		
	R 38	NRSA02J-101X	MG RESISTOR		
	R 39	NRSA02J-0R0X	MG RESISTOR		
	R 40	NRSA02J-393X	MG RESISTOR		
	R 41	NRSA02J-103X	MG RESISTOR		
	R 42	NRS181J-100X	MG RESISTOR		
	R 43	NRSA02J-471X	MG RESISTOR		
	R 44	NRSA02J-221X	MG RESISTOR		
	R 51	NRSA02J-223X	MG RESISTOR		
	R 52	NRSA02J-473X	MG RESISTOR		
	R 53	NRSA02J-473X	MG RESISTOR		
	R 54	NRSA02J-103X	MG RESISTOR		
	R 55	NRSA02J-222X	MG RESISTOR		
	R 56	NRSA02J-103X	MG RESISTOR		
	R 57	NRSA02J-153X	MG RESISTOR		
	R 58	NRSA02J-471X	MG RESISTOR		
	R 59	NRSA02J-473X	MG RESISTOR		
	R 71	NRSA02J-222X	MG RESISTOR		
	R 72	NRSA02J-222X	MG RESISTOR		
	R 73	NRSA02J-222X	MG RESISTOR		
	R 74	NRSA02J-101X	MG RESISTOR		
	R 81	NRSA02J-682X	MG RESISTOR		
	R 82	NRSA02J-273X	MG RESISTOR		
	R 83	NRSA02J-472X	MG RESISTOR		
	R 91	NRSA02J-682X	MG RESISTOR		
	R 92	NRSA02J-273X	MG RESISTOR		
	R 93	NRSA02J-472X	MG RESISTOR		
	R 161	NRSA02J-474X	MG RESISTOR		
	R 162	NRSA02J-223X	MG RESISTOR		

△	Item	Parts number	Parts name	Remarks	Area
	R 163	NRSA02J-222X	MG RESISTOR		
	R 164	NRSA02J-473X	MG RESISTOR		
	R 165	NRSA02J-473X	MG RESISTOR		
	R 171	NRSA02J-474X	MG RESISTOR		
	R 172	NRSA02J-223X	MG RESISTOR		
	R 173	NRSA02J-222X	MG RESISTOR		
	R 174	NRSA02J-473X	MG RESISTOR		
	R 175	NRSA02J-473X	MG RESISTOR		
	R 181	NRSA02J-271X	MG RESISTOR		
	R 182	NRSA02J-271X	MG RESISTOR		
	R 241	NRSA02J-473X	MG RESISTOR		
	R 242	NRSA02J-223X	MG RESISTOR		
	R 243	NRSA02J-184X	MG RESISTOR		
	R 244	NRSA02J-123X	MG RESISTOR		
	R 245	NRSA02J-101X	MG RESISTOR		
	R 246	NRSA02J-102X	MG RESISTOR		
	R 247	NRSA02J-274X	MG RESISTOR		
	R 301	NRSA02J-273X	MG RESISTOR		
	R 302	NRSA02J-273X	MG RESISTOR		
	R 311	NRSA02J-273X	MG RESISTOR		
	R 312	NRSA02J-273X	MG RESISTOR		
	R 315	NRSA02J-103X	RESISTOR		
	R 321	NRSA02J-222X	MG RESISTOR		
	R 322	NRSA02J-821X	MG RESISTOR		
	R 323	NRSA02J-101X	MG RESISTOR		
	R 331	NRSA02J-222X	MG RESISTOR		
	R 332	NRSA02J-821X	MG RESISTOR		
	R 333	NRSA02J-101X	MG RESISTOR		
	R 341	NRSA02J-222X	MG RESISTOR		
	R 342	NRSA02J-821X	MG RESISTOR		
	R 343	NRSA02J-101X	MG RESISTOR		
	R 351	NRSA02J-222X	MG RESISTOR		
	R 352	NRSA02J-821X	MG RESISTOR		
	R 353	NRSA02J-101X	MG RESISTOR		
	R 501	NRSA02J-822X	MG RESISTOR		
	R 502	NRSA02J-562X	MG RESISTOR		
	R 503	NRSA02J-242X	MG RESISTOR		
	R 504	NRSA02J-203X	MG RESISTOR		
	R 506	NRS181J-0R0X	MG RESISTOR		
	R 521	NRSA02J-473X	MG RESISTOR		
	R 522	NRSA02J-473X	MG RESISTOR		
	R 523	NRSA02J-473X	MG RESISTOR		
	R 524	NRSA02J-473X	MG RESISTOR		
	R 525	NRSA02J-104X	MG RESISTOR		
	R 526	NRSA02J-104X	MG RESISTOR		
	R 527	NRSA02J-220X	MG RESISTOR		
	R 528	NRSA02J-220X	MG RESISTOR		
	R 529	NRSA02J-273X	MG RESISTOR		
	R 530	NRSA02J-473X	MG RESISTOR		
	R 531	NRSA02J-222X	MG RESISTOR		
	R 532	NRSA02J-153X	MG RESISTOR		
	R 533	NRSA02J-682X	MG RESISTOR		
	R 534	NRSA02J-473X	MG RESISTOR		
	R 541	NRSA02J-472X	MG RESISTOR		
	R 542	NRSA02J-472X	MG RESISTOR		
	R 543	NRSA02J-472X	MG RESISTOR		
	R 544	NRSA02J-472X	MG RESISTOR		
	R 545	NRSA02J-103X	MG RESISTOR		
	R 546	NRSA02J-103X	MG RESISTOR		
	R 547	NRSA02J-473X	MG RESISTOR		
	R 548	NRSA02J-683X	MG RESISTOR		
	R 549	NRSA02J-474X	MG RESISTOR		
	R 550	NRSA02J-333X	MG RESISTOR		
	R 551	NRSA02J-103X	MG RESISTOR		
	R 552	NRSA02J-152X	MG RESISTOR		
	R 553	NRSA02J-153X	MG RESISTOR		
	R 554	NRSA02J-332X	MG RESISTOR		

■ Electrical parts list (Main board)

Block No. 01

△	Item	Parts number	Parts name	Remarks	Area
	R 555	NRSA02J-332X	MG RESISTOR		
	R 556	NRSA02J-682X	MG RESISTOR		
	R 557	NRSA02J-152X	MG RESISTOR		
	R 558	NRS181J-101X	MG RESISTOR		
	R 581	NRSA02J-243X	MG RESISTOR		
	R 582	NRSA02J-223X	MG RESISTOR		
	R 583	NRSA02J-223X	MG RESISTOR		
	R 584	NRSA02J-333X	MG RESISTOR		
	R 585	NRSA02J-123X	MG RESISTOR		
	R 586	NRSA02J-152X	MG RESISTOR		
	R 591	NRSA02J-243X	MG RESISTOR		
	R 592	NRSA02J-223X	MG RESISTOR		
	R 593	NRSA02J-223X	MG RESISTOR		
	R 594	NRSA02J-333X	MG RESISTOR		
	R 595	NRSA02J-123X	MG RESISTOR		
	R 596	NRSA02J-152X	MG RESISTOR		
	R 701	NRSA02J-473X	MG RESISTOR		
	R 702	NRSA02J-0R0X	MG RESISTOR		
	R 703	NRSA02J-0R0X	MG RESISTOR		
	R 704	NRSA02J-473X	MG RESISTOR		
	R 705	NRSA02J-473X	MG RESISTOR		
	R 706	NRSA02J-473X	MG RESISTOR		
	R 707	NRSA02J-473X	MG RESISTOR		
	R 709	NRSA02J-473X	MG RESISTOR		
	R 710	NRSA02J-0R0X	MG RESISTOR		
	R 711	NRSA02J-0R0X	MG RESISTOR		
	R 712	NRSA02J-0R0X	MG RESISTOR		
	R 713	NRSA02J-0R0X	MG RESISTOR		
	R 714	NRSA02J-473X	MG RESISTOR		
	R 715	NRSA02J-0R0X	MG RESISTOR		
	R 716	NRSA02J-0R0X	MG RESISTOR		
	R 719	NRSA02J-0R0X	MG RESISTOR		
	R 720	NRSA02J-122X	MG RESISTOR		
	R 721	NRSA02J-102X	MG RESISTOR		
	R 722	NRSA02J-103X	MG RESISTOR		
	R 723	NRSA02J-103X	MG RESISTOR		
	R 724	NRSA02J-0R0X	MG RESISTOR		
	R 725	NRSA02J-103X	MG RESISTOR		
	R 726	NRSA02J-103X	MG RESISTOR		
	R 728	NRSA02J-103X	MG RESISTOR		
	R 729	NRSA02J-473X	MG RESISTOR		
	R 730	NRSA02J-103X	MG RESISTOR		
	R 731	NRSA02J-473X	MG RESISTOR		
	R 732	NRSA02J-103X	MG RESISTOR		
	R 733	NRSA02J-103X	MG RESISTOR		
	R 734	NRSA02J-222X	MG RESISTOR		
	R 735	NRSA02J-222X	MG RESISTOR		
	R 736	NRSA02J-222X	MG RESISTOR		
	R 737	NRSA02J-0R0X	MG RESISTOR		
	R 738	NRSA02J-472X	MG RESISTOR		
	R 739	NRSA02J-472X	MG RESISTOR		
	R 740	NRSA02J-472X	MG RESISTOR		
	R 741	NRSA02J-103X	MG RESISTOR		
	R 742	NRSA02J-103X	MG RESISTOR		
	R 743	NRSA02J-103X	MG RESISTOR		
	R 744	NRSA02J-103X	MG RESISTOR		
	R 745	NRSA02J-103X	MG RESISTOR		
	R 746	NRSA02J-103X	MG RESISTOR		
	R 747	NRSA02J-472X	MG RESISTOR		
	R 748	NRSA02J-472X	MG RESISTOR		
	R 749	NRSA02J-472X	MG RESISTOR		
	R 750	NRSA02J-103X	MG RESISTOR		
	R 751	NRSA02J-103X	MG RESISTOR		
	R 752	NRSA02J-473X	MG RESISTOR		
	R 753	NRSA02J-473X	MG RESISTOR		
	R 754	NRSA02J-821X	MG RESISTOR		
	R 755	NRSA02J-106X	MG RESISTOR		

△	Item	Parts number	Parts name	Remarks	Area
	R 756	NRSA02J-473X	MG RESISTOR		
	R 757	NRSA02J-222X	MG RESISTOR		
	R 758	NRSA02J-473X	MG RESISTOR		
	R 759	NRSA02J-473X	MG RESISTOR		
	R 761	NRSA02J-103X	MG RESISTOR		
	R 762	NRSA02J-473X	MG RESISTOR		
	R 763	NRSA02J-102X	MG RESISTOR		
	R 771	NRSA02J-271X	MG RESISTOR		
	R 772	NRSA02J-271X	MG RESISTOR		
	R 783	NRSA02J-472X	MG RESISTOR		
	R 784	NRSA02J-473X	MG RESISTOR		
	R 801	NRSA02J-473X	MG RESISTOR		
	R 802	NRSA02J-473X	MG RESISTOR		
	R 803	NRSA02J-101X	MG RESISTOR		
	R 804	NRSA02J-223X	MG RESISTOR		
	R 805	NRSA02J-104X	MG RESISTOR		
	R 806	NRSA02J-103X	MG RESISTOR		
	R 807	NRSA02J-104X	MG RESISTOR		
	R 808	NRSA02J-331X	MG RESISTOR		
	R 809	NRSA02J-223X	MG RESISTOR		
	R 810	NRSA02J-101X	MG RESISTOR		
	R 841	NRSA02J-102X	MG RESISTOR		
	R 861	QRZ0125-102X	C RESISTOR	1.0K 1/1W	
	R 862	NRSA02J-822X	MG RESISTOR		
	R 863	NRSA02J-223X	MG RESISTOR		
	R 864	NRSA02J-822X	MG RESISTOR		
	R 865	NRSA02J-223X	MG RESISTOR		
	R 866	NRSA02J-153X	MG RESISTOR		
	R 867	NRSA02J-472X	MG RESISTOR		
	R 868	NRSA02J-223X	MG RESISTOR		
	R 869	NRSA02J-223X	MG RESISTOR		
	R 870	NRSA02J-103X	MG RESISTOR		
	R 871	NRSA02J-820X	MG RESISTOR		
	R 881	NRSA02J-473X	MG RESISTOR		
	R 882	NRSA02J-472X	MG RESISTOR		
	R 891	NRSA02J-102X	MG RESISTOR		
	R 892	NRSA02J-473X	MG RESISTOR		
	R 901	QRE142J-102X	C RESISTOR	1.0K 5% 1/4W	
	R 902	NRSA02J-912X	MG RESISTOR		
	R 903	NRSA02J-472X	MG RESISTOR		
	R 907	NRSA02J-473X	MG RESISTOR		
	R 908	NRSA02J-222X	MG RESISTOR		
	R 971	NRS181J-222X	MG RESISTOR		
	R 972	NRS181J-222X	MG RESISTOR		
	R 976	NRSA02J-273X	MG RESISTOR		
	R 977	NRSA02J-123X	MG RESISTOR		
	S 701	QSW0451-001	DETECT SW	DETACH	
	S 702	QSW0451-001	DETECT SW	OPEN	
	TU 1	QAU0156-001	TUNER		
	X 31	QAX0616-001Z	CRYSTAL		
	X 71	QAX0263-001Z	CRYSTAL		
	X 541	QAX0413-001Z	CRYSTAL		
	X 701	QAX0617-001Z	CRYSTAL		
	X 702	QAX0401-001	CRYSTAL		

■ Electrical parts list (Switch board) Block No. 02

△	Item	Parts number	Parts name	Remarks	Area
	C 601	NBE20JM-475X	TS E CAPACITOR		
	C 602	NCB21HK-103X	C CAPACITOR		
	C 603	NCS21HJ-221X	C CAPACITOR		
	C 604	NCB21CK-224X	C CAPACITOR		
	C 605	NCB21CK-224X	C CAPACITOR		
	C 606	NBE20JM-475X	TS E CAPACITOR		
	CN601	QNZ0006-001	CAR CONNECTOR		
	D 601	SML-310LT/MN/-X	LED		
	D 602	LNJ308G81/1-3/X	LED	KD-SX979R/909R	
	D 602	SML-310VT/JK/-X	LED	KD-SX924R/925R	
	D 603	SML-310VT/JK/-X	LED	KD-SX924R/925R	
	D 603	LNJ308G81/1-3/X	LED	KD-SX979R/909R	
	D 604	LNJ308G81/1-3/X	LED	KD-SX979R/909R	
	D 604	SML-310VT/JK/-X	LED	KD-SX924R/925R	
	D 605	SML-310VT/JK/-X	LED	KD-SX924R/925R	
	D 605	LNJ308G81/1-3/X	LED	KD-SX979R/909R	
	D 606	LNJ308G81/1-3/X	LED	KD-SX979R/909R	
	D 606	SML-310VT/JK/-X	LED	KD-SX924R/925R	
	D 607	SML-310VT/JK/-X	LED	KD-SX924R/925R	
	D 607	LNJ308G81/1-3/X	LED	KD-SX979R/909R	
	D 608	LNJ308G81/1-3/X	LED	KD-SX979R/909R	
	D 608	SML-310VT/JK/-X	LED	KD-SX924R/925R	
	D 609	SML-310VT/JK/-X	LED	KD-SX924R/925R	
	D 609	LNJ308G81/1-3/X	LED	KD-SX979R/909R	
	D 610	LNJ308G81/1-3/X	LED	KD-SX979R/909R	
	D 610	SML-310VT/JK/-X	LED	KD-SX924R/925R	
	D 611	SML-310VT/JK/-X	LED	KD-SX924R/925R	
	D 611	LNJ308G81/1-3/X	LED	KD-SX979R/909R	
	D 612	LNJ308G81/1-3/X	LED	KD-SX979R/909R	
	D 612	SML-310VT/JK/-X	LED	KD-SX924R/925R	
	D 613	SML-310VT/JK/-X	LED	KD-SX924R/925R	
	D 613	LNJ308G81/1-3/X	LED	KD-SX979R/909R	
	D 614	LNJ308G81/1-3/X	LED	KD-SX979R/909R	
	D 614	SML-310VT/JK/-X	LED	KD-SX924R/925R	
	D 615	SML-310VT/JK/-X	LED	KD-SX924R/925R	
	D 615	LNJ308G81/1-3/X	LED	KD-SX979R/909R	
	D 616	LNJ308G81/1-3/X	LED	KD-SX979R/909R	
	D 616	SML-310VT/JK/-X	LED	KD-SX924R/925R	
	D 617	SML-310VT/JK/-X	LED	KD-SX924R/925R	
	D 617	LNJ308G81/1-3/X	LED	KD-SX979R/909R	
	D 618	LNJ308G81/1-3/X	LED	KD-SX979R/909R	
	D 618	SML-310VT/JK/-X	LED	KD-SX924R/925R	
	D 619	SML-310VT/JK/-X	LED	KD-SX924R/925R	
	D 619	LNJ308G81/1-3/X	LED	KD-SX979R/909R	
	D 620	LNJ308G81/1-3/X	LED	KD-SX979R/909R	
	D 620	SML-310VT/JK/-X	LED	KD-SX924R/925R	
	D 621	SML-310VT/JK/-X	LED	KD-SX924R/925R	
	D 621	LNJ308G81/1-3/X	LED	KD-SX979R/909R	
	D 622	LNJ308G81/1-3/X	LED	KD-SX979R/909R	
	D 622	SML-310VT/JK/-X	LED	KD-SX924R/925R	
	D 623	SML-310VT/JK/-X	LED	KD-SX924R/925R	
	D 623	LNJ308G81/1-3/X	LED	KD-SX979R/909R	
	D 624	LNJ308G81/1-3/X	LED	KD-SX979R/909R	
	D 624	SML-310VT/JK/-X	LED	KD-SX924R/925R	
	D 625	SML-310VT/JK/-X	LED	KD-SX924R/925R	
	D 625	LNJ308G81/1-3/X	LED	KD-SX979R/909R	
	D 626	LNJ308G81/1-3/X	LED	KD-SX979R/909R	
	D 626	SML-310VT/JK/-X	LED	KD-SX924R/925R	
	D 627	SML-310VT/JK/-X	LED	KD-SX924R/925R	
	D 627	LNJ308G81/1-3/X	LED	KD-SX979R/909R	
	D 641	NSPW310BS/BRS/	LED	KD-SX979R/909R	
	D 641	SLA-360JT3F	LED	KD-SX924R/925R	
	D 642	SLA-360JT3F	LED	KD-SX924R/925R	
	D 642	NSPW310BS/BRS/	LED	KD-SX979R/909R	
	D 643	NSPW310BS/BRS/	LED	KD-SX979R/909R	
	D 643	NSPB320BS/VP/	LED	KD-SX925R	
	D 651	MA3051M/-X	ZENER DIODE		

△	Item	Parts number	Parts name	Remarks	Area
	D 652	MA152WK-X	SI DIODE		
	D 653	MA152WA-X	DIODE		
	D 654	MA152WK-X	SI DIODE		
	D 655	MA152WA-X	DIODE		
	D 656	MA152WK-X	SI DIODE		
	D 657	MA3056M/-X	ZENER DIODE		
	EN601	QSW0863-001	JOG SHUTTLE SW		
	IC601	LC75873NW	IC		
	IC602	RPM6938-SV4	IC		
	Q 641	2SB815/7/-X	TRANSISTOR		
	Q 642	UN2211-X	TRANSISTOR		
	R 601	NRSA02J-821X	MG RESISTOR		
	R 602	NRSA02J-821X	MG RESISTOR		
	R 603	NRSA02J-122X	MG RESISTOR		
	R 604	NRSA02J-182X	MG RESISTOR		
	R 605	NRSA02J-272X	MG RESISTOR		
	R 606	NRS181J-821X	MG RESISTOR		
	R 607	NRSA02J-821X	MG RESISTOR		
	R 608	NRSA02J-122X	MG RESISTOR		
	R 609	NRSA02J-182X	MG RESISTOR		
	R 610	NRSA02J-272X	MG RESISTOR		
	R 611	NRSA02J-392X	MG RESISTOR		
	R 612	NRSA02J-821X	MG RESISTOR		
	R 613	NRSA02J-821X	MG RESISTOR		
	R 614	NRSA02J-122X	MG RESISTOR		
	R 615	NRSA02J-182X	MG RESISTOR		
	R 616	NRSA02J-272X	MG RESISTOR		
	R 620	NRS181J-561X	MG RESISTOR		
	R 621	NRS181J-271X	MG RESISTOR		
	R 622	NRS181J-271X	MG RESISTOR		
	R 623	NRS181J-271X	MG RESISTOR		
	R 624	NRS181J-271X	MG RESISTOR		
	R 625	NRS181J-431X	MG RESISTOR		
	R 626	NRS181J-271X	MG RESISTOR		
	R 627	NRS181J-271X	MG RESISTOR		
	R 628	NRS181J-561X	MG RESISTOR		
	R 629	NRS181J-561X	MG RESISTOR		
	R 630	NRS181J-271X	MG RESISTOR		
	R 641	NRS181J-471X	MG RESISTOR	KD-SX979R	
	R 641	NRS181J-102NY	MG RESISTOR	KD-SX909R/924R	
	R 641	NRS181J-391X	MG RESISTOR	KD-SX925R	
	R 642	NRS181J-391X	MG RESISTOR	KD-SX925R	
	R 642	NRS181J-102NY	MG RESISTOR	KD-SX909R/924R	
	R 642	NRS181J-471X	MG RESISTOR	KD-SX979R	
	R 643	NRS181J-471X	MG RESISTOR	KD-SX979R	
	R 643	NRS181J-102NY	MG RESISTOR	KD-SX909R/924R	
	R 643	NRS181J-391X	MG RESISTOR	KD-SX925R	
	R 644	NRS181J-0R0X	MG RESISTOR	KD-SX924R/909R	
	R 644	NRS181J-0R0X	MG RESISTOR	KD-SX925R	
	R 644	NRS181J-471X	MG RESISTOR	KD-SX979R	
	R 645	NRSA02J-473X	MG RESISTOR		
	R 646	NRS181J-102X	MG RESISTOR		
	R 650	NRSA02J-101X	MG RESISTOR		
	R 651	NRSA02J-473X	MG RESISTOR		
	R 652	NRSA02J-473X	MG RESISTOR		
	R 653	NRS181J-102X	MG RESISTOR		
	R 654	NRSA02J-221X	MG RESISTOR		
	R 655	NRSA02J-394X	MG RESISTOR		
	R 656	NRSA02J-334X	MG RESISTOR		
	R 657	NRSA02J-103X	MG RESISTOR		
	R 658	NRSA02J-470X	MG RESISTOR		
	R 661	NRSA02J-332X	MG RESISTOR		
	R 662	NRSA02J-332X	MG RESISTOR		
	R 663	NRSA02J-332X	MG RESISTOR		
	R 669	NRSA02J-103X	MG RESISTOR		
	R 670	NRSA02J-103X	MG RESISTOR		
	R 671	NRSA02J-103X	MG RESISTOR		

KD-SX979R/KD-SX925R
KD-SX924R/KD-SX909R

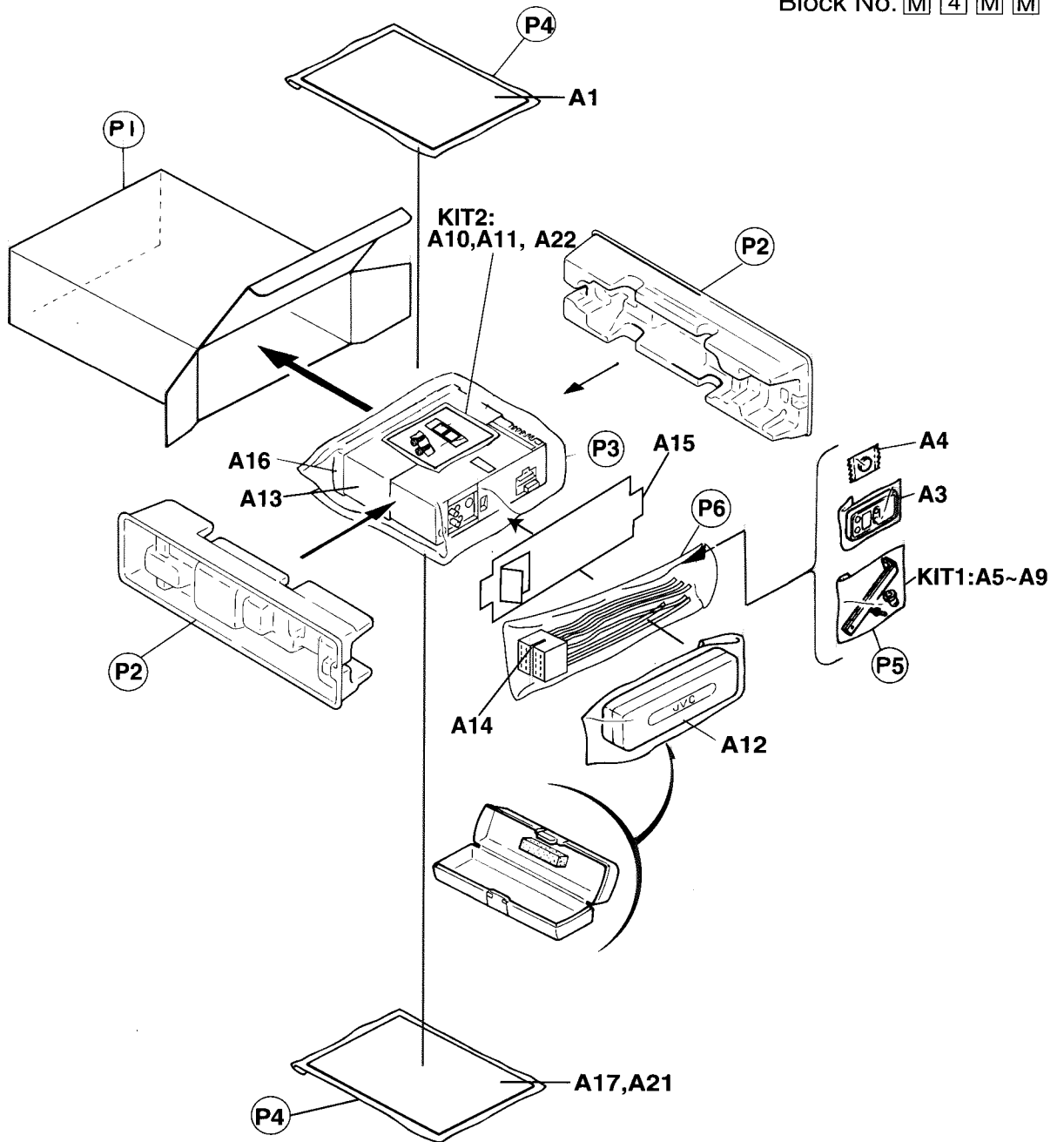
■ Electrical parts list (Switch board) Block No. 02






△	Item	Parts number	Parts name	Remarks	Area
	S 601	NSW0066-001X	TACT SWITCH		
	S 602	NSW0066-001X	TACT SWITCH		
	S 603	NSW0066-001X	TACT SWITCH		
	S 604	NSW0066-001X	TACT SWITCH		
	S 605	NSW0066-001X	TACT SWITCH		
	S 606	NSW0066-001X	TACT SWITCH		
	S 607	NSW0066-001X	TACT SWITCH		
	S 608	NSW0066-001X	TACT SWITCH		
	S 609	NSW0066-001X	TACT SWITCH		
	S 610	NSW0066-001X	TACT SWITCH		
	S 611	NSW0066-001X	TACT SWITCH		
	S 612	NSW0066-001X	TACT SWITCH		
	S 613	NSW0066-001X	TACT SWITCH		
	S 614	NSW0066-001X	TACT SWITCH		
	S 615	NSW0066-001X	TACT SWITCH		
	S 616	NSW0066-001X	TACT SWITCH		
	S 617	NSW0066-001X	TACT SWITCH		
	S 618	NSW0066-001X	TACT SWITCH		
	S 619	NSW0066-001X	TACT SWITCH		

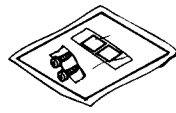


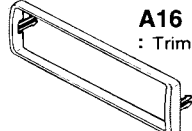
Packing materials and accessories parts list

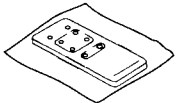
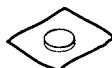
Block No. M 3 M M

Block No. M 4 M M



SCREW KIT 1	
	A9 Hook
	A5 Plug Nut
	A6 Mount Bolt
	A7 Lock Nut
	A8 Washer

SCREW KIT 2	
	A10 : Screw
	A11 : Sheet
	A22 : Sheet
	A16 : Trim Plate

	A3 : Remocon
	A4 : Battery

KD-SX979R/KD-SX925R
 KD-SX924R/KD-SX909R

■ Packing parts list

Block No. M3MM

△	Item	Parts number	Parts name	Q'ty	Description	Area
	P 1	FSPE3001-171	PACKING CASE	1	KD-SX924R	
		FSPE3001-176	PACKING CASE	1	KD-SX979R	
		FSPE3001-170	PACKING CASE	1	KD-SX925R	
		FSPE3001-172	PACKING CASE	1	KD-SX909R	
	P 2	FSPH1018-002	PAPER CUSHION	2		
	P 3	VPE3005-064	POLY BAG	1		
	P 4	QPA01703505P	POLY BAG	2	FOR INST. BOOK	
	P 5	QPA00801205	POLY BAG	1		
	P 6	QPA01003003	POLY BAG	1		

■ Accessories list

Block No. M4MM

△	Item	Parts number	Parts name	Q'ty	Description	Area
	A 1	FSUN3115-321	INST.BOOK	1	SPA,ITA,SWE,FIN	
		FSUN3115-311	INST.BOOK	1	ENG,FRE,GER,DUT	
	A 3	RM-RK31	REMOCON	1	KD-SX979R/925R/924R	
	A 4	QAB0014-001	BATTERY	1	KD-SX979R/925R/924R	
	A 5	VKZ4027-202	PLUG NUT	1		
	A 6	VKH4871-001SS	MOUNT BOLT	1		
	A 7	VKZ4328-001	LOCK NUT	1		
	A 8	WNS5000Z	WASHER	1		
	A 9	FSKL4010-002	HOOK	2		
	A 10	VKZ4777-001	MINI SCREW	2	THEFT PREVENTIO	
	A 11	FSYA4002-001	SHEET	1	THEFT PREVENTIO	
	A 12	FSJB3001-00A	HARD CASE	1		
	A 13	FSKM2004-002SSF	MOUNTING SLEEVE	1		
	A 14	QAM0158-001	CAR PLUG CORD	1	KD-SX979R/925R/924R	
		QAM0160-001	CAR CABLE	1	KD-SX979R	
	A 16	FSJD2034-001	TRIM PLATE	1		
	A 17	FSUN3115-T481	INSTALL MANUAL	1	SWE,FIN	
		FSUN3115-T451	INSTALL MANUAL	1	DUT,SPA,ITA	
		FSUN3115-T211	INSTALL MANUAL	1	ENG,GER,FRE	
	A 21	BT-54013-1	WARRANTY CARD	1		
	A 22	FSYH4036-036	SHEET	2		
	KIT 1	KDGS717K-SCREW1	SCREW PARTS KIT	1	A5-A9	
	KIT 2	KDSX959-SCREW2	SCREW PARTS KIT	1	A10,A11,A22	

<<MEMO>>

KD-SX979R / KD-SX925R
KD-SX924R / KD-SX909R

JVC

VICTOR COMPANY OF JAPAN, LIMITED

MOBILE ELECTRONICS DIVISION, 10-1, 1Chome, Ohwatari-machi, Maebashi-city, Japan

(No.49548)

 Printed in Japan
200002(O)